



# PARTS CATALOGUE NEWS

Honda Motor Co., Ltd. Service Division

Printed in Japan

CODE NO.	18KRS3E1
PARTS CATALOGUE TITLE	Wave NF100M3 NF100MSH3
NEWS NO.	004

(SH-KD)KRS

## NEW MODEL NF100MB<sub>5</sub> AND NF100MN<sub>5</sub> AND NF100MSH<sub>5</sub> TYPES COMPONENT

### PARTS-MARKETED

This Parts News NF100MB<sub>5</sub> and NF100MN<sub>5</sub> NF100MSH<sub>5</sub> types parts exclusively and is respectively based NF100M<sub>3</sub> and NF100MSH<sub>3</sub> types listed on the Wave NF100M3/NF100MSH3 Parts Catalogue.

All other parts not listed herein are the same as NF100M<sub>3</sub> and NF100MSH<sub>3</sub> types parts.

NOTE A:PART NO.CHANGE D:NEWLY PROVIDED E:PART NO.DELETION K:REQUIRED NO.CORRECTION L:APPLICATION SERIAL NO.CORRECTION  
T:APPLICATION CORRECTION Z:REMARKS CHANGE

<b>Model</b>	<b>Parts catalogue code</b>	<b>Type</b>	<b>Applicable engine serial No.</b>	<b>Applicable frame serial No.</b>	<b>Applicable carburetor identification No.</b>
NF100MB <sub>5</sub>	BU	Burkinafaso			VM 16B A
	2BU	Burkinafaso			
NF100MN <sub>5</sub>	NR	Nigeria			
	2NR	Nigeria			
NF100MSH <sub>5</sub>	BU	Burkinafaso			
	NR	Nigeria			
	PE	Peru			
	2BU	Burkinafaso			
	2NR	Nigeria			
	2PE	Peru			

## PARTS CATALOGUE NEWS

BOOKNo.: 18KRS3E1

## Wave(NF100MB5)

No.	MODEL		NF100MB5								
	COLOR		Pearl procyon black NH-A06P	Clean silver metallic NH-A05M	India green metallic G-178M	Bake red metallic R-283M	Epsilon blue metallic PB-335M	Applicable model		Applicable block No.	Ref. No.
	CODE		NHA06	NHA05	G178	R283	PB335	Initial applicable model	Final applicable model		
	Name of colored parts	Basic part No.									
1	CASE, UNDER HALF DRIVE CHAIN	40520-KRS-830	ZA	ZA	ZA	ZA	ZA			F-20	2
2	CASE, UPPER HALF DRIVE CHAIN	40510-KRS-830	ZA	ZA	ZA	ZA	ZA			F-20	1
3	COVER SET, FR. TOP	64550-KRS-C00	ZC	ZB	ZA	ZE	ZD			F-29-1	13
4	COVER SET, L. BODY	64360-KTL-C00	ZA	ZB	ZC	ZD	ZE			F-14	2
5	COVER SET, L. MAIN PIPE SIDE	64250-KRS-C00	ZC	ZB	ZA	ZE	ZD			F-29-1	5
6	COVER SET, R. BODY	64300-KTL-C00	ZA	ZB	ZC	ZD	ZE			F-14	1
7	COVER SET, R. MAIN PIPE SIDE	64200-KRS-C00	ZC	ZB	ZA	ZE	ZD			F-29-1	3
8	COVER SET, R. SIDE	83550-KRS-C00	ZA	ZB	ZC	ZD	ZE			F-14	3
9	COVER, FR. HANDLE	53205-KRS-T40	ZC	ZB	ZA	ZE	ZD			F-4	23
10	COVER, L. FR. FORK	61400-KRS-830	ZC	ZB	ZA	ZD	ZE			F-6	5
11	COVER, L. FR. WINKER	64445-KRS-T40	ZC	ZB	ZA	ZE	ZD			F-29-1	10
12	COVER, MAIN PIPE	64320-KRS-830	ZA	ZA	ZA	ZA	ZA			F-29-1	7
13	COVER, R. FR. FORK	61200-KRS-830	ZC	ZB	ZA	ZD	ZE			F-6	4
14	COVER, R. FR. WINKER	64435-KRS-T40	ZC	ZB	ZA	ZE	ZD			F-29-1	9
15	COVER, RR. HANDLE	53204-KRS-T50	ZA	ZA	ZA	ZA	ZA			F-4	11

NOTE A:PART NO.CHANGE D:NEWLY PROVIDED E:PART NO.DELETION K:REQUIRED NO.CORRECTION L:APPLICATION SERIAL NO.CORRECTION  
T:APPLICATION CORRECTION Z:REMARKS CHANGE

## PARTS CATALOGUE NEWS

BOOKNo.: 18KRS3E1

Wave(NF100MB5)											
No.	MODEL		NF100MB5								
	COLOR		Pearl procyon black NH-A06P	Clean silver metallic NH-A05M	India green metallic G-178M	Bake red metallic R-283M	Epsilon blue metallic PB-335M	Applicable model		Applicable block No.	Ref. No.
	CODE		NHA06	NHA05	G178	R283	PB335	Initial applicable model	Final applicable model		
	Name of colored parts							Basic part No.			
16	COVER, TAIL		ZC	ZB	ZA	ZD	ZE			F-14	5
17	FENDER, FR.		ZC	ZB	ZA	ZD	ZE			F-6	3
18	LABEL, COLOR		ZA	ZB	ZC	ZD	ZE			F-30	6
19	MARK, DRIVE CAUTION		ZA	ZA	ZA	ZA	ZA			F-30	5
20	MARK, FR. TOP COVER		ZA	ZB	ZC	ZD	ZE			F-31-1	1
21	MARK, HONDA		ZA	ZB	ZC	ZD	ZE			F-31-1	8
22	SHIELD, L. LEG		ZA	ZB	ZC	ZD	ZE			F-29-1	6
23	SHIELD, R. LEG		ZA	ZB	ZC	ZD	ZE			F-29-1	4
24	STRIPE A, L. BODY COVER		ZA	ZB	ZC	ZD	ZE			F-31-1	6
25	STRIPE B, L. BODY COVER		ZA	ZB	ZC	ZD	ZE			F-31-1	7
26	STRIPE, L. LEG SHIELD		ZA	ZB	ZC	ZD	ZE			F-31-1	3
27	STRIPE, R. BODY COVER		ZA	ZB	ZC	ZD	ZE			F-31-1	5
28	STRIPE, R. LEG SHIELD		ZA	ZB	ZC	ZD	ZE			F-31-1	2
29	STRIPE, R. SIDE COVER		ZA	ZB	ZC	ZD	ZE			F-31-1	4
30	SWINGARM ASSY., RR.		ZA	ZA	ZA	ZA	ZA			F-20	7

NOTE A:PART NO.CHANGE D:NEWLY PROVIDED E:PART NO.DELETION K:REQUIRED NO.CORRECTION L:APPLICATION SERIAL NO.CORRECTION  
T:APPLICATION CORRECTION Z:REMARKS CHANGE

## PARTS CATALOGUE NEWS

BOOKNo.: 18KRS3E1

Wave(NF100MN5)											
No.	MODEL		NF100MN5								
	COLOR		Pearl procyon black NH-A06P	Clean silver metallic NH-A05M	India green metallic G-178M	Bake red metallic R-283M	Epsilon blue metallic PB-335M	Applicable model		Applicable block No.	Ref. No.
	CODE		NHA06	NHA05	G178	R283	PB335	Initial applicable model	Final applicable model		
	Name of colored parts	Basic part No.									
1	CASE, UNDER HALF DRIVE CHAIN	40520-KRS-830	ZA	ZA	ZA	ZA	ZA			F-20	2
2	CASE, UPPER HALF DRIVE CHAIN	40510-KRS-830	ZA	ZA	ZA	ZA	ZA			F-20	1
3	COVER SET, FR. TOP	64550-KRS-C00	ZC	ZB	ZA	ZE	ZD			F-29-1	13
4	COVER SET, L. BODY	64360-KTL-C00	ZA	ZB	ZC	ZD	ZE			F-14	2
5	COVER SET, L. MAIN PIPE SIDE	64250-KRS-C00	ZC	ZB	ZA	ZE	ZD			F-29-1	5
6	COVER SET, R. BODY	64300-KTL-C00	ZA	ZB	ZC	ZD	ZE			F-14	1
7	COVER SET, R. MAIN PIPE SIDE	64200-KRS-C00	ZC	ZB	ZA	ZE	ZD			F-29-1	3
8	COVER SET, R. SIDE	83550-KRS-C00	ZA	ZB	ZC	ZD	ZE			F-14	3
9	COVER, FR. HANDLE	53205-KRS-T40	ZC	ZB	ZA	ZE	ZD			F-4	23
10	COVER, L. FR. FORK	61400-KRS-830	ZC	ZB	ZA	ZD	ZE			F-6	5
11	COVER, L. FR. WINKER	64445-KRS-T40	ZC	ZB	ZA	ZE	ZD			F-29-1	10
12	COVER, MAIN PIPE	64320-KRS-830	ZA	ZA	ZA	ZA	ZA			F-29-1	7
13	COVER, R. FR. FORK	61200-KRS-830	ZC	ZB	ZA	ZD	ZE			F-6	4
14	COVER, R. FR. WINKER	64435-KRS-T40	ZC	ZB	ZA	ZE	ZD			F-29-1	9
15	COVER, RR. HANDLE	53204-KRS-T50	ZA	ZA	ZA	ZA	ZA			F-4	11

NOTE A:PART NO.CHANGE D:NEWLY PROVIDED E:PART NO.DELETION K:REQUIRED NO.CORRECTION L:APPLICATION SERIAL NO.CORRECTION  
T:APPLICATION CORRECTION Z:REMARKS CHANGE

## PARTS CATALOGUE NEWS

BOOKNo.: 18KRS3E1

Wave(NF100MN5)											
No.	MODEL		NF100MN5								
	COLOR		Pearl procyon black NH-A06P	Clean silver metallic NH-A05M	India green metallic G-178M	Bake red metallic R-283M	Epsilon blue metallic PB-335M	Applicable model		Applicable block No.	Ref. No.
	CODE		NHA06	NHA05	G178	R283	PB335	Initial applicable model	Final applicable model		
	Name of colored parts	Basic part No.									
16	COVER, TAIL	83510-KRS-830	ZC	ZB	ZA	ZD	ZE			F-14	5
17	FENDER, FR.	61100-KRS-830	ZC	ZB	ZA	ZD	ZE			F-6	3
18	LABEL, COLOR	87565-KTL-C00	ZA	ZB	ZC	ZD	ZE			F-30	6
19	MARK, DRIVE CAUTION	87560-KTL-C00	ZA	ZA	ZA	ZA	ZA			F-30	5
20	MARK, FR. TOP COVER	87101-KRS-C00	ZA	ZB	ZC	ZD	ZE			F-31-1	1
21	MARK, HONDA	87130-KRS-C00	ZA	ZB	ZC	ZD	ZE			F-31-1	8
22	SHIELD, L. LEG	64260-KRS-C00	ZA	ZB	ZC	ZD	ZE			F-29-1	6
23	SHIELD, R. LEG	64210-KRS-C00	ZA	ZB	ZC	ZD	ZE			F-29-1	4
24	STRIPE A, L. BODY COVER	87108-KTL-C00	ZA	ZB	ZC	ZD	ZE			F-31-1	6
25	STRIPE B, L. BODY COVER	87109-KRS-C00	ZA	ZB	ZC	ZD	ZE			F-31-1	7
26	STRIPE, L. LEG SHIELD	87103-KRS-C00	ZA	ZB	ZC	ZD	ZE			F-31-1	3
27	STRIPE, R. BODY COVER	87107-KTL-C00	ZA	ZB	ZC	ZD	ZE			F-31-1	5
28	STRIPE, R. LEG SHIELD	87102-KRS-C00	ZA	ZB	ZC	ZD	ZE			F-31-1	2
29	STRIPE, R. SIDE COVER	87106-KRS-C00	ZA	ZB	ZC	ZD	ZE			F-31-1	4
30	SWINGARM ASSY., RR.	52100-KRS-830	ZA	ZA	ZA	ZA	ZA			F-20	7

NOTE A:PART NO.CHANGE D:NEWLY PROVIDED E:PART NO.DELETION K:REQUIRED NO.CORRECTION L:APPLICATION SERIAL NO.CORRECTION  
T:APPLICATION CORRECTION Z:REMARKS CHANGE

## PARTS CATALOGUE NEWS

BOOKNo.: 18KRS3E1

Wave(NF100MSH5)											
No.	MODEL		NF100MSH5								
	COLOR		Pearl procyon black	Clean silver metallic	India green metallic	Bake red metallic	Epsilon blue metallic	Applicable model		Applicable block No.	Ref. No.
	CODE		NH-A06P	NH-A05M	G-178M	R-283M	PB-335M				
	Name of colored parts	Basic part No.	NHA06	NHA05	G178	R283	PB335	Initial applicable model	Final applicable model		
1	CASE, UNDER HALF DRIVE CHAIN	40520-KRS-830	ZA	ZA	ZA	ZA	ZA			F-20	2
2	CASE, UPPER HALF DRIVE CHAIN	40510-KRS-830	ZA	ZA	ZA	ZA	ZA			F-20	1
3	COVER SET, FR. TOP	64550-KRS-C00	ZC	ZB	ZA	ZE	ZD			F-29-1	13
4	COVER SET, L. BODY	64360-KTL-C00	ZA	ZB	ZC	ZD	ZE			F-14	2
5	COVER SET, L. MAIN PIPE SIDE	64250-KRS-C00	ZC	ZB	ZA	ZE	ZD			F-29-1	5
6	COVER SET, R. BODY	64300-KTL-C00	ZA	ZB	ZC	ZD	ZE			F-14	1
7	COVER SET, R. MAIN PIPE SIDE	64200-KRS-C00	ZC	ZB	ZA	ZE	ZD			F-29-1	3
8	COVER SET, R. SIDE	83550-KRS-C00	ZA	ZB	ZC	ZD	ZE			F-14	3
9	COVER, FR. HANDLE	53205-KRS-T40	ZC	ZB	ZA	ZE	ZD			F-4	23
10	COVER, L. FR. FORK	61400-KRS-830	ZC	ZB	ZA	ZD	ZE			F-6	5
11	COVER, L. FR. WINKER	64445-KRS-T40	ZC	ZB	ZA	ZE	ZD			F-29-1	10
12	COVER, MAIN PIPE	64320-KRS-830	ZA	ZA	ZA	ZA	ZA			F-29-1	7
13	COVER, R. FR. FORK	61200-KRS-830	ZC	ZB	ZA	ZD	ZE			F-6	4
14	COVER, R. FR. WINKER	64435-KRS-T40	ZC	ZB	ZA	ZE	ZD			F-29-1	9
15	COVER, RR. HANDLE	53204-KRS-T50	ZA	ZA	ZA	ZA	ZA			F-4	11
16	COVER, TAIL	83510-KRS-830	ZC	ZB	ZA	ZD	ZE			F-14	5

NOTE A:PART NO.CHANGE D:NEWLY PROVIDED E:PART NO.DELETION K:REQUIRED NO.CORRECTION L:APPLICATION SERIAL NO.CORRECTION  
T:APPLICATION CORRECTION Z:REMARKS CHANGE

## PARTS CATALOGUE NEWS

BOOKNo.: 18KRS3E1

Wave(NF100MSH5)											
No.	MODEL		NF100MSH5								
	COLOR		Pearl procyon black	Clean silver metallic	India green metallic	Bake red metallic	Epsilon blue metallic	Applicable model		Applicable block No.	Ref. No.
	CODE		NH-A06P	NH-A05M	G-178M	R-283M	PB-335M				
	Name of colored parts	Basic part No.	NHA06	NHA05	G178	R283	PB335	Initial applicable model	Final applicable model		
17	FENDER, FR.	61100-KRS-830	ZC	ZB	ZA	ZD	ZE			F-6	3
18	LABEL, COLOR	87565-KRS-C00	ZA	ZB	ZC	ZD	ZE			F-30	6
19	MARK, DRIVE CAUTION	87560-KTL-C00	ZA	ZA	ZA	ZA	ZA			F-30	5
20	MARK, DRIVE CAUTION	87560-KTL-C10	ZA	ZA	ZA	ZA	ZA			F-30	5
21	MARK, DRIVE CAUTION	87560-KTL-C40	ZA	ZA	ZA	ZA	ZA			F-30	5
22	MARK, FR. TOP COVER	87101-KRS-C00	ZA	ZB	ZC	ZD	ZE			F-31-1	1
23	MARK, HONDA	87130-KRS-C00	ZA	ZB	ZC	ZD	ZE			F-31-1	8
24	SHIELD, L. LEG	64260-KRS-C00	ZA	ZB	ZC	ZD	ZE			F-29-1	6
25	SHIELD, R. LEG	64210-KRS-C00	ZA	ZB	ZC	ZD	ZE			F-29-1	4
26	STRIPE A, L. BODY COVER	87108-KTL-C00	ZA	ZB	ZC	ZD	ZE			F-31-1	6
27	STRIPE B, L. BODY COVER	87109-KRS-C00	ZA	ZB	ZC	ZD	ZE			F-31-1	7
28	STRIPE, L. LEG SHIELD	87103-KRS-C00	ZA	ZB	ZC	ZD	ZE			F-31-1	3
29	STRIPE, R. BODY COVER	87107-KTL-C00	ZA	ZB	ZC	ZD	ZE			F-31-1	5
30	STRIPE, R. LEG SHIELD	87102-KRS-C00	ZA	ZB	ZC	ZD	ZE			F-31-1	2
31	STRIPE, R. SIDE COVER	87106-KRS-C00	ZA	ZB	ZC	ZD	ZE			F-31-1	4
32	SWINGARM ASSY., RR.	52100-KRS-830	ZA	ZA	ZA	ZA	ZA			F-20	7

NOTE A:PART NO.CHANGE D:NEWLY PROVIDED E:PART NO.DELETION K:REQUIRED NO.CORRECTION L:APPLICATION SERIAL NO.CORRECTION  
T:APPLICATION CORRECTION Z:REMARKS CHANGE

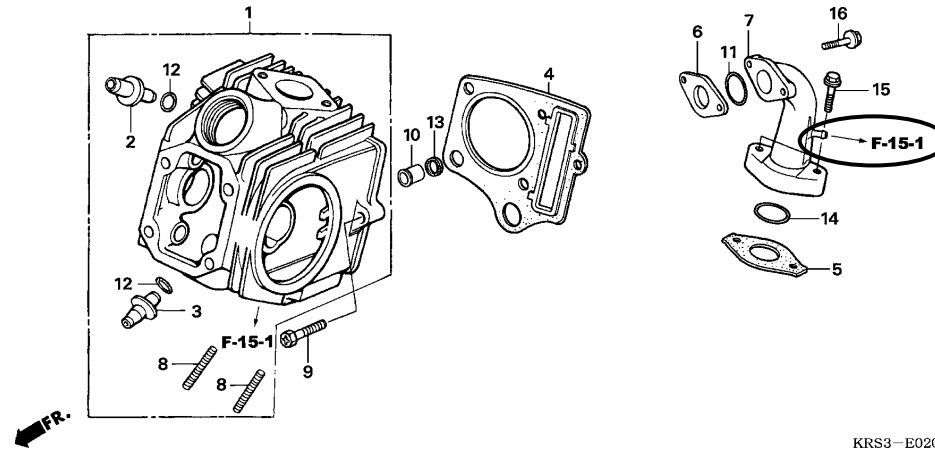


PARTS CATALOGUE NEWS

BOOKNo.:18KRS3E1

Block No.	Ref. No.	Part No.	Description	Reqd. QTY					Base Part No.	Parts catalogue code
				3	NF100M SH3	B5	N5	SH5		
E-1	5	12391-KRS-C10	GASKET, CYLINDER HEAD COVER ..	-	-	1	1	1	12391-KRS-830	
	6	12394-KRS-C10	GASKET, R. CYLINDER HEAD SIDE COVER	-	-	1	1	1	12394-KRS-830	
	7	12395-KRS-C10	GASKET, L. CYLINDER HEAD SIDE COVER	-	-	1	1	1	12395-KRS-830	
	12	90461-KRS-830	WASHER, SEALING, 12MM .....	-	-	1	1	1	90461-KRS-830	

E-2 CYLINDER HEAD



E-2	1	12200-KRS-C10	HEAD COMP., CYLINDER .....	-	-	1	1	1	12200-KRS-730	
	2		GUIDE, IN. VALVE (O.S.) .....	-	-	0	0	0	12237-GB4-305	
	3		GUIDE, EX. VALVE (O.S.) .....	-	-	0	0	0	12245-GB4-305	
	5		GASKET, INSULATOR .....	-	-	0	0	0	16201-KRS-830	
	7	17110-KRS-C00	PIPE COMP., INLET .....	-	-	1	1	1	17111-KRS-830	
	16	90004-GHB-680	BOLT, FLANGE, 6X28(NSHF) .....	-	-	2	2	2	96001-06028-00	
E-3	1	12209-GFC-890	SEAL, VALVE STEM .....	-	-	2	2	2	12209-KRS-830	

NOTE A:PART NO.CHANGE D:NEWLY PROVIDED E:PART NO.DELETION K:REQUIRED NO.CORRECTION L:APPLICATION SERIAL NO.CORRECTION T:APPLICATION CORRECTION Z:REMARKS CHANGE

## PARTS CATALOGUE NEWS

BOOKNo.:18KRS3E1

Block No.	Ref. No.	Part No.	Description	Reqd.QTY					Base Part No.	Parts catalogue code
				3	NF100M SH3	B5	N5	SH5		
E-4	4	14502-086-000	ROLLER, CAM CHAIN TENSIONER ..	-	-	1	1	1	14505-KRS-830	
	9	14610-086-010	ROLLER COMP., CAM CHAIN GUIDE	-	-	1	1	1	14610-KRS-830	
E-5	2	12191-KRS-C10	GASKET, CYLINDER .....	-	-	1	1	1	12191-KRS-830	
E-6	2	11394-KRS-C10	GASKET, R. CRANKCASE COVER ...	-	-	1	1	1	11394-KRS-830	
	8	32921-KRS-C00	CLIP, DYNAMO CORD .....	-	-	1	1	1	32921-KRS-830	
E-7	2	15439-KPH-W00	GASKET, OIL FILTER .....	-	-	1	1	1	15439-KRS-830	
E-10	3	11395-KRS-C10	GASKET, L. CRANKCASE COVER ...	-	-	1	1	1	11395-KRS-830	
E-11	1	31110-KRS-T40	FLYWHEEL COMP. ....	-	-	1	1	1	31110-KRS-830	
	2	31120-KRS-T40	STATOR COMP. ....	-	-	1	1	1	31120-KRS-830	
E-13	2	32410-KRS-C00	SUB HARNESS A .....	-	-	1	1	1	32410-KRS-830	
E-14	2	11191-KRS-C10	GASKET, CRANKCASE .....	-	-	1	1	1	11191-KRS-830	
	3	11200-KRS-C00	CRANKCASE COMP., L. ....	-	-	1	1	1	11200-KRS-830	
	4	15761-KRS-C00	TUBE, BREATHER .....	-	-	1	1	1	15761-KRS-830	

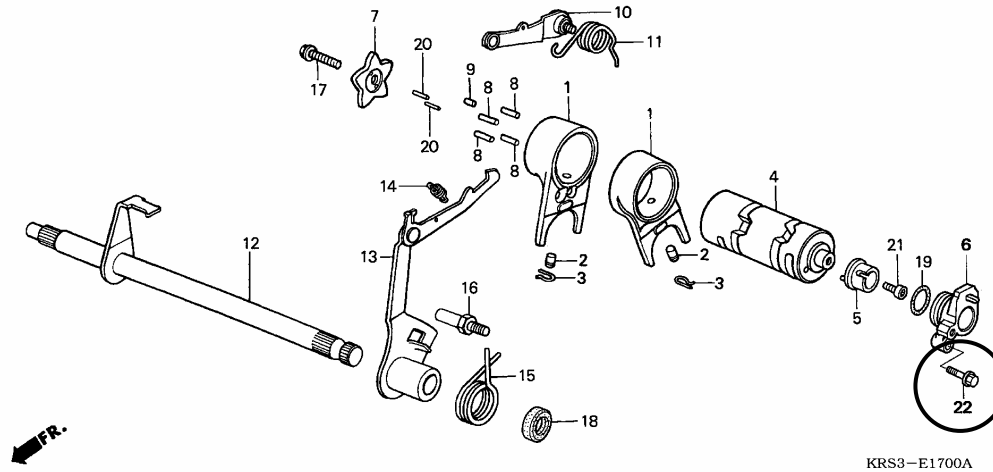
NOTE A:PART NO.CHANGE D:NEWLY PROVIDED E:PART NO.DELETION K:REQUIRED NO.CORRECTION L:APPLICATION SERIAL NO.CORRECTION  
T:APPLICATION CORRECTION Z:REMARKS CHANGE

PARTS CATALOGUE NEWS

BOOKNo.:18KRS3E1

Block No.	Ref. No.	Part No.	Description	Reqd. QTY	Base Part No.	Parts catalogue code
				NF100M 3 SH3 B5 N5 SH5		

E-17 GEARSHIFT DRUM



E-17	22	96001-06025-00	BOLT, FLANGE, 6X25 .....	-	-	1	1	1
------	----	----------------	--------------------------	---	---	---	---	---

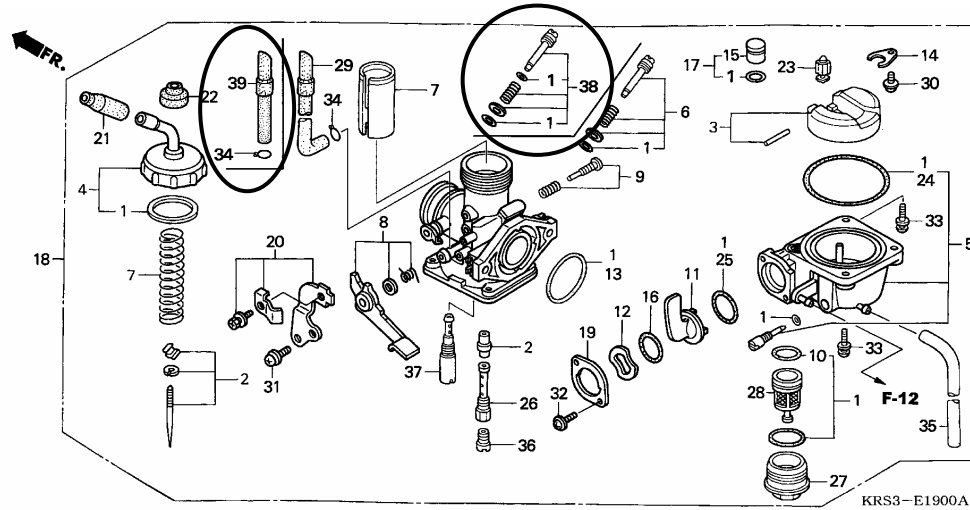
NOTE A:PART NO.CHANGE D:NEWLY PROVIDED E:PART NO.DELETION K:REQUIRED NO.CORRECTION L:APPLICATION SERIAL NO.CORRECTION  
T:APPLICATION CORRECTION Z:REMARKS CHANGE

PARTS CATALOGUE NEWS

BOOKNo.:18KRS3E1

Block No.	Ref. No.	Part No.	Description	Reqd. QTY					Base Part No.	Parts catalogue code
				3	NF100M SH3	B5	N5	SH5		

E-19 CARBURETOR



E-19	1	16010-KRS-C02	GASKET SET .....	-	-	1	1	1	16010-KRS-832
	2	16012-KRS-C02	NEEDLE SET, JET .....	-	-	1	1	1	16012-KRS-832
	6		SCREW SET A .....	-	-	0	0	0	16016-KRS-832
	7	16022-KRS-C02	VALVE SET, THROTTLE .....	-	-	1	1	1	16022-KRS-832
	11	16050-KRS-C02	LEVER, COCK .....	-	-	1	1	1	16050-KRS-832
	18	16100-KRS-C10	CARBURETOR ASSY. (VM 16B A) ..	-	-	1	1	1	16100-KRS-730
	19	16119-KRS-C02	PLATE SET, COCK .....	-	-	1	1	1	16119-KRS-832
	29		TUBE, 4.5X8.0X440 .....	-	-	0	0	0	16199-KRS-832
	38	16016-KRS-C02	SCREW SET .....	-	-	1	1	1	
	39	16199-KRS-C02	TUBE, 4.5X8.0X440 .....	-	-	1	1	1	

F-1	1	33120-KRS-T50	HEADLIGHT UNIT .....	-	-	1	1	1	33120-KRS-730
	4	33301-KPN-710	BULB (12V 5W) .....	-	-	1	1	1	34908-GW3-780

NOTE A:PART NO.CHANGE D:NEWLY PROVIDED E:PART NO.DELETION K:REQUIRED NO.CORRECTION L:APPLICATION SERIAL NO.CORRECTION  
T:APPLICATION CORRECTION Z:REMARKS CHANGE

## PARTS CATALOGUE NEWS

BOOKNo.:18KRS3E1

Block No.	Ref. No.	Part No.	Description	Reqd.QTY					Base Part No.	Parts catalogue code
				3	SH3	NF100M B5	N5	SH5		
F-2	12	44830-KRS-C00	CABLE COMP., SPEEDOMETER .....	-	-	1	1	1	44830-KRS-830	
F-3	1		CABLE COMP., THROTTLE .....	-	-	0	0	0	17910-KRS-830	
	2		CABLE COMP., CHOKE .....	-	-	0	0	0	17950-KRS-830	
	3		SWITCH SET, STARTER KILL .....	-	-	0	0	0	35015-KRS-830	
	4		SWITCH SET, WINKER .....	-	-	0	0	0	35020-KRS-830	
	5		SWITCH ASSY., FR. STOP .....	-	-	0	0	0	35340-KRS-830	
	6		CABLE COMP., FR. BRAKE .....	-	-	0	0	0	45450-KRS-830	
	7		GRIP COMP., THROTTLE .....	-	-	0	0	0	53140-KRS-830	
	8		GRIP, L. HANDLE .....	-	-	0	0	0	53166-KRS-830	
	9		BRACKET, R. HANDLE LEVER .....	-	-	0	0	0	53171-KRS-830	
	10		LEVER, R. STEERING HANDLE .....	-	-	0	0	0	53175-KRS-830	
	11		CAP, LOCK NUT .....	-	-	0	0	0	88113-KET-900	
	12		MIRROR COMP., R. .....	-	-	0	0	0	88210-KRS-830	
	13		MIRROR COMP., L. .....	-	-	0	0	0	88220-KRS-830	
	14		BOLT, HANDLE LEVER PIVOT .....	-	-	0	0	0	90115-GE0-000	
	15		NUT, LOCK .....	-	-	0	0	0	90314-KET-900	
	16		NUT, LOCK, 10MM .....	-	-	0	0	0	90314-KRS-830	
	17		SCREW, PAN, 5X20 .....	-	-	0	0	0	93500-05020-0G	
	18		SCREW, PAN, 5X25 .....	-	-	0	0	0	93500-05025-0G	
	19		NUT, HEX., 5MM .....	-	-	0	0	0	94001-05000-0S	
	20		BAND B1, WIRE .....	-	-	0	0	0	95014-62100	
	21		BOLT, FLANGE, 6X25 .....	-	-	0	0	0	96001-06025-07	

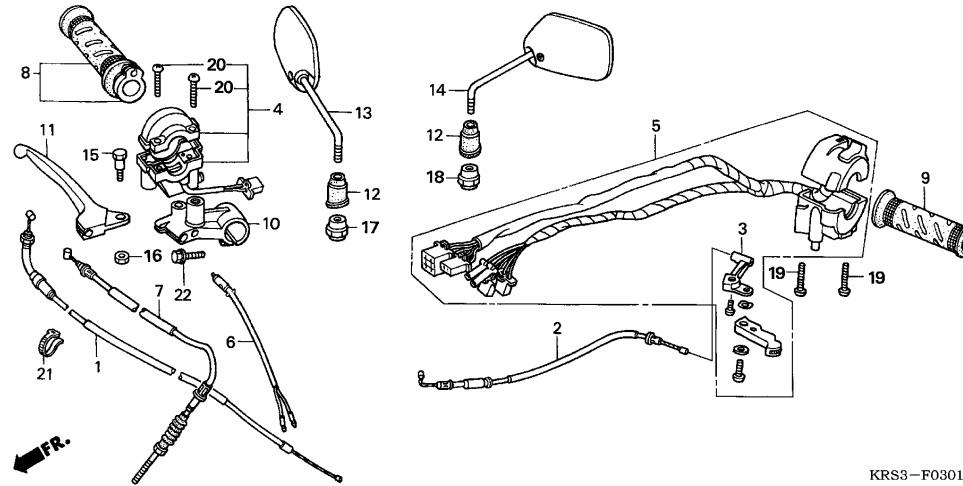
NOTE A:PART NO.CHANGE D:NEWLY PROVIDED E:PART NO.DELETION K:REQUIRED NO.CORRECTION L:APPLICATION SERIAL NO.CORRECTION  
T:APPLICATION CORRECTION Z:REMARKS CHANGE

BOOKNo.:18KRS3E1

Block No.	Ref. No.	Part No.	Description	Reqd. QTY	Base Part No.	Parts catalogue code
				NF100M 3 SH3 B5 N5 SH5		

**F-3-1 HANDLE LEVER/SWITCH/CABLE (NF100MB5/MN5/MSH5)**

Service	Item	F.R.T.
	GRIP, L. HANDLE.....	0.1
	LEVER, R. STEERING HANDLE	
	GRIP COMP., THROTTLE.....	0.2
	BRACKET, R. HANDLE LEVER.....	0.3
	CABLE COMP., CHOKE	
	SWITCH ASSY., FR. STOP	
	CABLE COMP., FR. BRAKE.....	0.4
	CABLE COMP., THROTTLE.....	0.5
	SWITCH SET, STARTER KILL	
	SWITCH ASSY., WINKER.....	0.6



KRS3-F0301

F-3-1	1	17910-KRS-C00	CABLE COMP., THROTTLE .....	-	-	1	1	1
	2	17950-KRS-C00	CABLE COMP., CHOKE .....	-	-	1	1	1
	3	17962-KPG-T00	STOPPER, CABLE .....	-	-	1	1	1
	4	35015-KRS-830	SWITCH SET, STARTER KILL .....	-	-	1	1	1
	5	35200-KRS-T50	SWITCH ASSY., WINKER .....	-	-	1	1	1
	6	35340-KRS-830	SWITCH ASSY., FR. STOP .....	-	-	1	1	1
	7	45450-KRS-C10	CABLE COMP., FR. BRAKE .....	-	-	1	1	1
	8	53140-KRS-830	GRIP COMP., THROTTLE .....	-	-	1	1	1
	9	53166-KRS-830	GRIP, L. HANDLE .....	-	-	1	1	1
	10	53171-KRS-830	BRACKET, R. HANDLE LEVER .....	-	-	1	1	1
	11	53175-KPH-C00	LEVER, R. STEERING HANDLE .....	-	-	1	1	1
	12	88113-KET-900	CAP, LOCK NUT .....	-	-	2	2	2

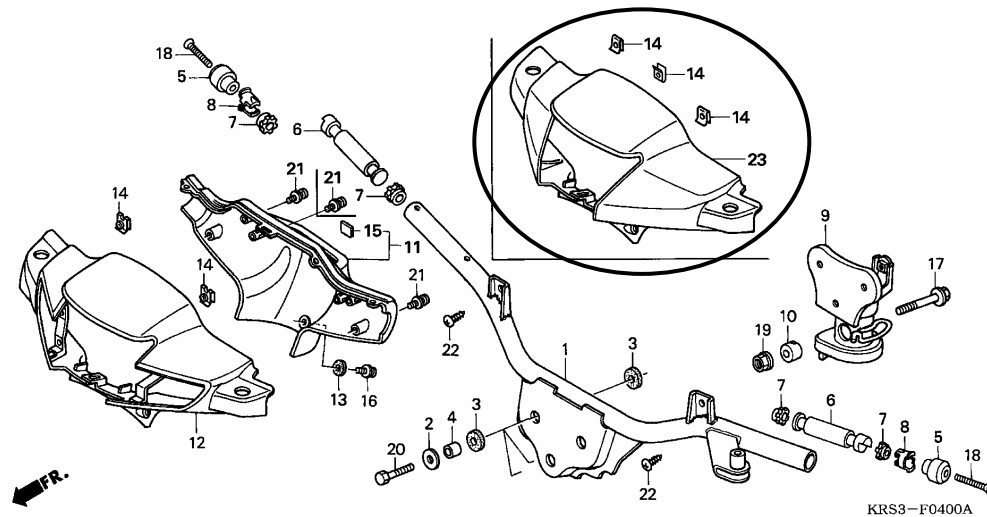
NOTE A:PART NO.CHANGE D:NEWLY PROVIDED E:PART NO.DELETION K:REQUIRED NO.CORRECTION L:APPLICATION SERIAL NO.CORRECTION  
T:APPLICATION CORRECTION Z:REMARKS CHANGE

PARTS CATALOGUE NEWS

BOOKNo.:18KRS3E1

Block No.	Ref. No.	Part No.	Description	Reqd. QTY					Base Part No.	Parts catalogue code
				3	NF100M SH3	B5	N5	SH5		
13	88210-KRS-830	MIRROR COMP., R. ....		-	-	1	1	1		
14	88220-KRS-830	MIRROR COMP., L. ....		-	-	1	1	1		
15	90115-GEO-000	BOLT, HANDLE LEVER PIVOT ....		-	-	1	1	1		
16	90302-GCC-000	NUT, HEX., 5MM ....		-	-	1	1	1		
17	90314-KET-900	NUT, LOCK ....		-	-	1	1	1		
18	90314-KRS-830	NUT, LOCK, 10MM ....		-	-	1	1	1		
19	93500-05020-0G	SCREW, PAN, 5X20 ....		-	-	2	2	2		
20	93500-05025-0G	SCREW, PAN, 5X25 ....		-	-	2	2	2		
21	95014-62100	BAND B1, WIRE ....		-	-	1	1	1		
22	96001-06025-07	BOLT, FLANGE, 6X25 ....		-	-	1	1	1		

F-4 HANDLE PIPE



F-4	11	53204-KRS-T50ZA	COVER, RR. HANDLE *NH1*.....BLACK	-	-	1	1	1	53204-KRS-730ZA	
-----	----	-----------------	--------------------------------------	---	---	---	---	---	-----------------	--

NOTE A:PART NO.CHANGE D:NEWLY PROVIDED E:PART NO.DELETION K:REQUIRED NO.CORRECTION L:APPLICATION SERIAL NO.CORRECTION  
T:APPLICATION CORRECTION Z:REMARKS CHANGE

## PARTS CATALOGUE NEWS

BOOKNo.:18KRS3E1

Block No.	Ref. No.	Part No.	Description	Reqd. QTY					Base Part No.	Parts catalogue code
				3	NF100M SH3	B5	N5	SH5		
	12		COVER, FR. HANDLE *G178M*..INDIA GREEN METALLIC	-	-	0	0	0	53205-KRS-830ZA	
			*NHA05M*CLEAN SILVER METALLIC	-	-	0	0	0	53205-KRS-830ZB	
			*NHA06P*..PEARL PROCYON BLACK	-	-	0	0	0	53205-KRS-830ZC	
			*R283M*....BAKE RED METALLIC	-	-	0	0	0	53205-KRS-830ZD	
			*PB335M*EPSILON BLUE METALLIC	-	-	0	0	0	53205-KRS-830ZE	
	14	64521-KRS-830	NUT, CLIP, 4MM .....	-	-	3	3	3	64521-KRS-830	
	21	93891-04016-07	SCREW-WASHER, 4X16 .....	-	-	3	3	3	93891-04016-07	
	23	53205-KRS-T40ZA	COVER, FR. HANDLE *G178M*..INDIA GREEN METALLIC	-	-	1	1	1		
		53205-KRS-T40ZB	*NHA05M*CLEAN SILVER METALLIC	-	-	1	1	1		
		53205-KRS-T40ZC	*NHA06P*..PEARL PROCYON BLACK	-	-	1	1	1		
		53205-KRS-T40ZD	*PB335M*EPSILON BLUE METALLIC	-	-	1	1	1		
		53205-KRS-T40ZE	*R283M*....BAKE RED METALLIC	-	-	1	1	1		
F-5	1	06530-KRS-C00	BALL SET, STEEL, #6X23 .....	-	-	1	1	1	06530-GBG-B20	
	2	06531-KRS-C00	BALL SET, STEEL, #6X29 .....	-	-	1	1	1	06531-GBG-B20	
	14	90971-KRS-C00	BALL, STEEL, #6 (3/16) .....	-	-	52	52	52	96211-06000	
F-8	1	06430-GCE-910	SHOE SET, BRAKE (NK) .....	-	-	1	1	1	06430-KRS-730	
		06430-KCS-W30	SHOE SET, BRAKE (ASK) .....	-	-	1	1	1		
		06430-KSY-880	SHOE SET, BRAKE (JB) .....	-	-	1	1	1		
	2	45151-GCC-000	SPRING, BRAKE SHOE .....	-	-	2	2	2	43133-KRS-830	
	3	43141-KPH-C00	CAM, RR. BRAKE .....	-	-	1	1	1	43141-KRS-830	
	13	94050-06000	NUT, FLANGE, 6MM .....	-	-	1	1	1	90301-KRS-830	
F-9	10	90307-KPH-C00	NUT, SPECIAL, 12MM .....	-	-	1	1	1	90307-KRF-S00	BU,NR,PE
F-9-1	7	90307-KPH-C00	NUT, SPECIAL, 12MM .....	-	-	1	1	1	90307-KRF-S00	2BU,2NR,2PE

NOTE A:PART NO.CHANGE D:NEWLY PROVIDED E:PART NO.DELETION K:REQUIRED NO.CORRECTION L:APPLICATION SERIAL NO.CORRECTION  
T:APPLICATION CORRECTION Z:REMARKS CHANGE

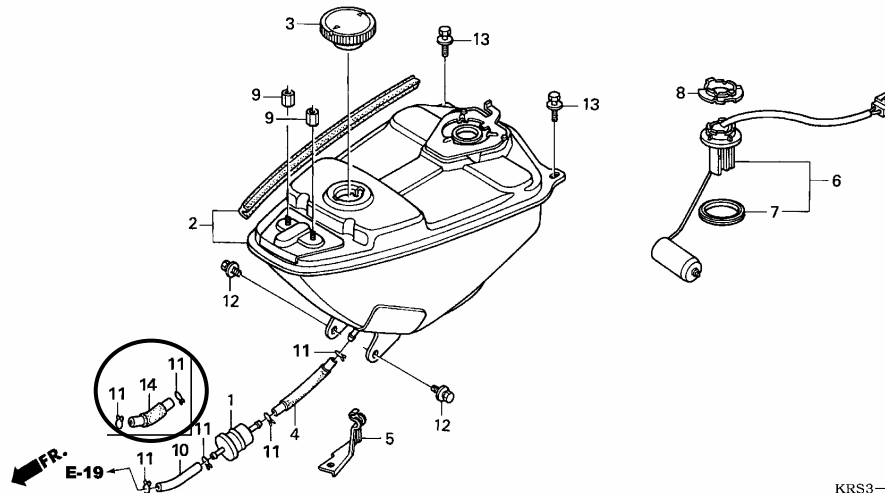


PARTS CATALOGUE NEWS

BOOKNo.:18KRS3E1

Block No.	Ref. No.	Part No.	Description	Reqd. QTY				Base Part No.	Parts catalogue code
				3	NF100M SH3	B5	N5		
F-10	1	06430-GCE-910	SHOE SET, BRAKE (NK) .....	-	-	1	1	1	06430-KRS-730
		06430-KCS-W30	SHOE SET, BRAKE (ASK) .....	-	-	1	1	1	
		06430-KSY-880	SHOE SET, BRAKE (JB) .....	-	-	1	1	1	
	6	45151-GCC-000	SPRING, BRAKE SHOE .....	-	-	2	2	2	43133-KRS-830
	7	43141-KPH-C00	CAM, RR. BRAKE .....	-	-	1	1	1	43141-KRS-830
F-11	17	90307-KPH-C00	NUT, SPECIAL, 12MM .....	-	-	1	1	1	90307-KRF-S00 BU,NR,PE
F-11-1	14	90307-KPH-C00	NUT, SPECIAL, 12MM .....	-	-	1	1	1	90307-KRF-S00 2BU,2NR,2PE
	19	96140-62030-10	BEARING, RADIAL BALL, 6203U ..	-	-	1	1	1	96140-62010-10 2BU,2NR,2PE
	20	96140-62010-10	BEARING, RADIAL BALL, 6201U ..	-	-	1	1	1	96140-62030-10 2BU,2NR,2PE

F-12 FUEL TANK



KRS3-F1200A

F-12	3	17620-KRS-T40	CAP COMP., FUEL FILLER .....	-	-	1	1	1	17620-KRS-830
	4	17630-KRS-C00	TUBE, FUEL, 5.3X400 .....	-	-	1	1	1	17630-KRS-830
	5		CLAMPER, FUEL TUBE .....	-	-	0	0	0	17640-KRS-830

NOTE A:PART NO.CHANGE D:NEWLY PROVIDED E:PART NO.DELETION K:REQUIRED NO.CORRECTION L:APPLICATION SERIAL NO.CORRECTION  
T:APPLICATION CORRECTION Z:REMARKS CHANGE

## PARTS CATALOGUE NEWS

BOOKNo.:18KRS3E1

Block No.	Ref. No.	Part No.	Description	Reqd.QTY					Base Part No.	Parts catalogue code
				3	NF100M SH3	B5	N5	SH5		
	9	94050-06000	NUT, FLANGE, 6MM .....	-	-	2	2	2	94001-06070-0S	
	10		TUBE, FUEL, 5.3X75 (95001-55001-60M)	-	-	0	0	0	95001-55075-40	
	14	17631-KRS-T40	TUBE, FUEL, 5.3X65 .....	-	-	1	1	1		
F-13	8	77200-KRS-T40	SEAT COMP., DOUBLE .....	-	-	1	1	1	77200-KRS-830	
F-14	1	64300-KTL-C00ZA	COVER SET, R. BODY *TYPE1*(WL)	-	-	1	1	1	64300-KRS-830ZA	
		64300-KTL-C00ZB	COVER SET, R. BODY *TYPE2*(WL)	-	-	1	1	1	64300-KRS-830ZB	
		64300-KTL-C00ZC	COVER SET, R. BODY *TYPE3*(WL)	-	-	1	1	1	64300-KRS-830ZC	
		64300-KTL-C00ZD	COVER SET, R. BODY *TYPE4*(WL)	-	-	1	1	1	64300-KRS-830ZD	
		64300-KTL-C00ZE	COVER SET, R. BODY *TYPE5*(WL)	-	-	1	1	1	64300-KRS-830ZE	
	2	64360-KTL-C00ZA	COVER SET, L. BODY *TYPE1*(WL)	-	-	1	1	1	64360-KRS-830ZA	
		64360-KTL-C00ZB	COVER SET, L. BODY *TYPE2*(WL)	-	-	1	1	1	64360-KRS-830ZB	
		64360-KTL-C00ZC	COVER SET, L. BODY *TYPE3*(WL)	-	-	1	1	1	64360-KRS-830ZC	
		64360-KTL-C00ZD	COVER SET, L. BODY *TYPE4*(WL)	-	-	1	1	1	64360-KRS-830ZD	
		64360-KTL-C00ZE	COVER SET, L. BODY *TYPE5*(WL)	-	-	1	1	1	64360-KRS-830ZE	
	3	83550-KRS-C00ZA	COVER SET, R. SIDE *TYPE1*(WL)	-	-	1	1	1	83550-KRS-830ZA	
		83550-KRS-C00ZB	COVER SET, R. SIDE *TYPE2*(WL)	-	-	1	1	1	83550-KRS-830ZB	
		83550-KRS-C00ZC	COVER SET, R. SIDE *TYPE3*(WL)	-	-	1	1	1	83550-KRS-830ZC	
		83550-KRS-C00ZD	COVER SET, R. SIDE *TYPE4*(WL)	-	-	1	1	1	83550-KRS-830ZD	
		83550-KRS-C00ZE	COVER SET, R. SIDE *TYPE5*(WL)	-	-	1	1	1	83550-KRS-830ZE	
	5	83510-KRS-830ZA	COVER, TAIL (WOL) *G178M*..INDIA GREEN METALLIC	-	-	1	1	1	83600-KRS-830ZA	
		83510-KRS-830ZB	*NHA05M*CLEAN SILVER METALLIC	-	-	1	1	1	83600-KRS-830ZB	
		83510-KRS-830ZC	*NHA06P*..PEARL PROCYON BLACK	-	-	1	1	1	83600-KRS-830ZC	
		83510-KRS-830ZD	*R283M*.....BAKE RED METALLIC	-	-	1	1	1	83600-KRS-830ZD	

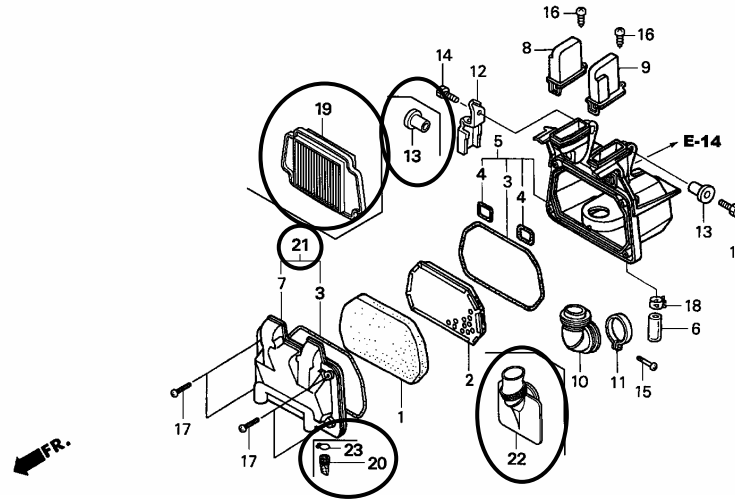
NOTE A:PART NO.CHANGE D:NEWLY PROVIDED E:PART NO.DELETION K:REQUIRED NO.CORRECTION L:APPLICATION SERIAL NO.CORRECTION  
T:APPLICATION CORRECTION Z:REMARKS CHANGE

PARTS CATALOGUE NEWS

BOOKNo.:18KRS3E1

Block No.	Ref. No.	Part No.	Description	Reqd. QTY					Base Part No.	Parts catalogue code
				3	NF100M SH3	B5	N5	SH5		
		83510-KRS-830ZE	*PB335M*EPSILON BLUE METALLIC	-	-	1	1	1	83600-KRS-830ZE	

F-15 AIR CLEANER



KRS3-F1500A

F-15	1		ELEMENT, AIR CLEANER .....	-	-	0	0	0	17205-GN5-900
	2		TRAP COMP., FLAME .....	-	-	0	0	0	17212-KFL-840
	3	17213-GN5-900	SEAL, AIR CLEANER COVER .....	-	-	2	2	2	17213-KRS-830
	4	17214-GN5-900	SEAL, AIR CLEANER CASE .....	-	-	2	2	2	17214-KRS-830
	5	17225-KRS-C00	CASE SUB ASSY., AIR CLEANER ..	-	-	1	1	1	17225-KRS-830
	7		COVER, AIR CLEANER CASE .....	-	-	0	0	0	17231-KRS-830
	10		TUBE, AIR CLEANER CONNECTING .	-	-	0	0	0	17253-KRS-830
	12		GUIDE, AIR VENT TUBE .....	-	-	0	0	0	50154-KEV-900
	13	90522-028-000	WASHER, CHAIN CASE SETTING ...	-	-	2	2	2	90522-028-000
	16	93901-24320	SCREW, TAPPING, 4X12 .....	-	-	2	2	2	93901-24310
	17	93903-25520	SCREW, TAPPING, 5X25 .....	-	-	4	4	4	93903-25310

NOTE A:PART NO.CHANGE D:NEWLY PROVIDED E:PART NO.DELETION K:REQUIRED NO.CORRECTION L:APPLICATION SERIAL NO.CORRECTION  
T:APPLICATION CORRECTION Z:REMARKS CHANGE

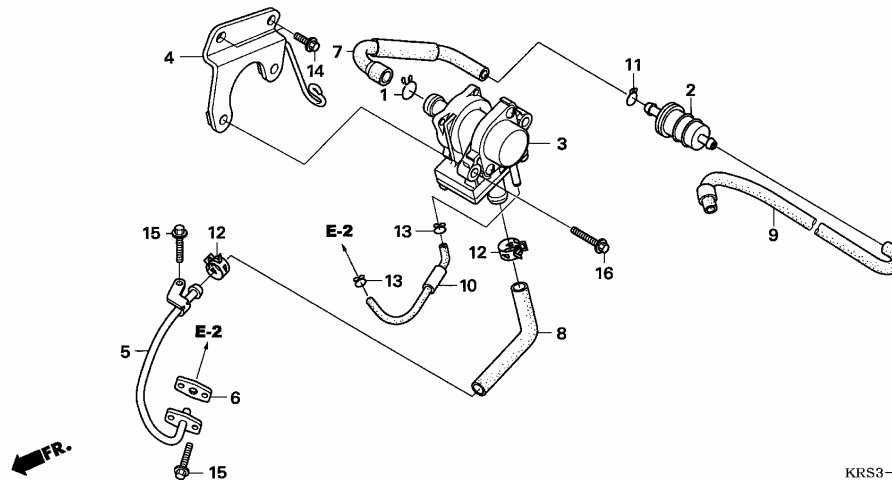
PARTS CATALOGUE NEWS

BOOKNo.:18KRS3E1

Block No.	Ref. No.	Part No.	Description	Reqd. QTY					Base Part No.	Parts catalogue code
				3	SH3	NF100M B5	N5	SH5		
	19	17210-KRS-C00	ELEMENT COMP., AIR CLEANER ...	-	-	1	1	1		
	20	17234-KCW-871	TUBE, AIR CLEANER DRAIN .....	-	-	1	1	1		
	21	17235-KRS-C00	COVER SUB ASSY., AIR CLEANER .	-	-	1	1	1		
	22	17253-KRS-C00	TUBE, AIR CLEANER CONNECTING .	-	-	1	1	1		
	23	95002-80000	CLIP, TUBE (C12) .....	-	-	1	1	1		

F-15-1 AIR SUCTION VALVE

Service	Item	F.R.T.
	PIPE COMP., AIR FEED.....	0.3
	.VALVE ASSY., AIR SUCTION	



KRS3-F1501

F-15-1	1	15771-KV6-000	CLIP, OIL DRAIN TUBE .....	-	-	1	1	1		
	2	17260-KPH-C00	FILTER COMP., AIR .....	-	-	1	1	1		
	3	18600-KRS-C10	VALVE ASSY., AIR SUCTION .....	-	-	1	1	1		
	4	18620-KRS-C00	STAY COMP., AIR SUCTION VALVE	-	-	1	1	1		
	5	18640-KRS-C00	PIPE COMP., AIR FEED .....	-	-	1	1	1		
	6	18645-KPH-C00	GASKET, AIR FEED PIPE .....	-	-	1	1	1		
	7	18652-KRS-C00	TUBE A, AIR SUCTION VALVE ....	-	-	1	1	1		

NOTE A:PART NO.CHANGE D:NEWLY PROVIDED E:PART NO.DELETION K:REQUIRED NO.CORRECTION L:APPLICATION SERIAL NO.CORRECTION  
T:APPLICATION CORRECTION Z:REMARKS CHANGE

## PARTS CATALOGUE NEWS

BOOKNo.:18KRS3E1

Block No.	Ref. No.	Part No.	Description	Reqd.QTY					Base Part No.	Parts catalogue code
				3	NF100M SH3	B5	N5	SH5		
	8	18653-KRS-C00	TUBE B, AIR SUCTION VALVE ....	-	-	1	1	1		
	9	18654-KRS-C00	TUBE C, AIR SUCTION VALVE ....	-	-	1	1	1		
	10	18655-KRS-C00	TUBE, AIR SUCTION VALVE (PB) .	-	-	1	1	1		
	11	90602-KRS-C00	CLIP, TUBE .....	-	-	1	1	1		
	12	90678-MN5-000	CLIP, FUEL HOSE .....	-	-	2	2	2		
	13	95002-02070	CLIP, TUBE (B7) .....	-	-	2	2	2		
	14	95701-06008-00	BOLT, FLANGE, 6X8 .....	-	-	2	2	2		
	15	96001-06016-00	BOLT, FLANGE, 6X16 .....	-	-	3	3	3		
	16	96001-06018-00	BOLT, FLANGE, 6X18 .....	-	-	2	2	2		
F-16	1	18240-KRS-C00	COVER, EX. PIPE .....	-	-	1	1	1	18240-KRS-830	
	3	18350-KRS-C00	MUFFLER COMP., EX. ....	-	-	1	1	1	18350-KRS-830	
F-17	2	28300-KRS-C00	ARM ASSY., KICK STARTER .....	-	-	1	1	1	28300-KRS-830	
	3	28311-KRS-C00	RUBBER, KICK STARTER .....	-	-	1	1	1	28311-342-000	
F-19	2	50512-KRS-C00	SHAFT, RR. BRAKE PIVOT .....	-	-	1	1	1	50512-KRS-830	
F-20	13	94031-10000	NUT, HEX., 10MM .....	-	-	1	1	1	94002-10000-0S	

NOTE A:PART NO.CHANGE D:NEWLY PROVIDED E:PART NO.DELETION K:REQUIRED NO.CORRECTION L:APPLICATION SERIAL NO.CORRECTION  
T:APPLICATION CORRECTION Z:REMARKS CHANGE

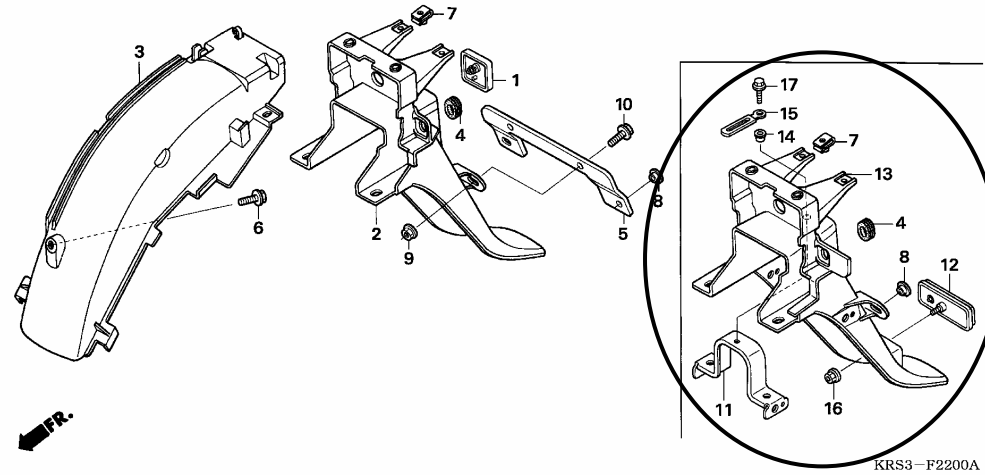
PARTS CATALOGUE NEWS

BOOKNo.:18KRS3E1

Block No.	Ref. No.	Part No.	Description	Reqd. QTY	Base Part No.	Parts catalogue code
-----------	----------	----------	-------------	-----------	---------------	----------------------

NF100M  
3 SH3 B5 N5 SH5

F-22 REAR FENDER



F-22	1		REFLECTOR, REFLEX .....	-	-	0	0	0	33740-KRS-730
	2		FENDER COMP., RR. ....	-	-	0	0	0	80100-KRS-830
	5		BRACKET, NUMBER PLATE (RR.) ..	-	-	0	0	0	84701-KRS-830
	9		NUT, FLANGE, 6MM .....	-	-	0	0	0	94050-06000
	10		BOLT, FLANGE, 6X14 .....	-	-	0	0	0	95701-06014-00
	11	33610-KRS-T40	STAY, RR. WINKER .....	-	-	1	1	1	
	12	33741-KPN-710	REFLECTOR, RR. REFLEX .....	-	-	1	1	1	
	13	80100-KRS-T40	FENDER COMP., RR. ....	-	-	1	1	1	
	14	90556-044-000	WASHER, FR. FENDER SETTING ...	-	-	1	1	1	
	15	91410-679-000	CLIP, 2X60 .....	-	-	1	1	1	
	16	94050-05080	NUT, FLANGE, 5MM .....	-	-	1	1	1	
	17	95701-06012-00	BOLT, FLANGE, 6X12 .....	-	-	1	1	1	

NOTE A:PART NO.CHANGE D:NEWLY PROVIDED E:PART NO.DELETION K:REQUIRED NO.CORRECTION L:APPLICATION SERIAL NO.CORRECTION  
T:APPLICATION CORRECTION Z:REMARKS CHANGE

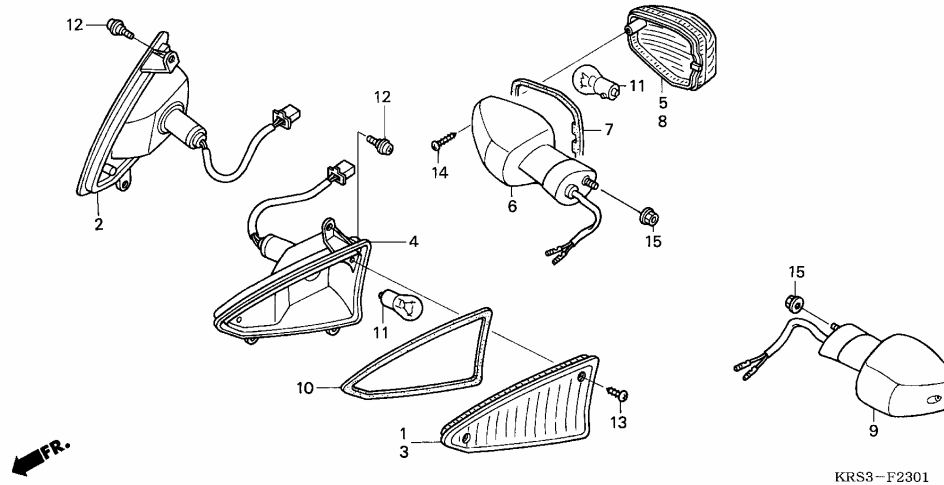
BOOKNo.:18KRS3E1

Block No.	Ref. No.	Part No.	Description	Reqd.QTY					Base Part No.	Parts catalogue code
				3	SH3	NF100M B5	N5	SH5		
F-23	1		WINKER ASSY., R. FR. (12V 10W)	-	-	0	0	0	33400-KRS-830	
	2		LENS, R. FR. WINKER .....	-	-	0	0	0	33402-KRS-830	
	3		SOCKET COMP., R. WINKER .....	-	-	0	0	0	33406-KRS-830	
	4		WINKER ASSY., L. FR. (12V 10W)	-	-	0	0	0	33450-KRS-830	
	5		LENS, L. FR. WINKER .....	-	-	0	0	0	33452-KRS-830	
	6		SOCKET COMP., L. WINKER .....	-	-	0	0	0	33456-KRS-830	
	7		BULB, WINKER (12V 10W) .....	-	-	0	0	0	34905-KRS-830	
	8		SCREW, TAPPING, 4X16 .....	-	-	0	0	0	93901-24410	
	9		SCREW, TAPPING, 4X12 .....	-	-	0	0	0	93903-34380	

F-23-1 WINKER

(NF100MB5/MN5/MSH5)

Service Item	F.R.T.
BULB, WINKER.....	0.1
(WHEN SERVICING COMP., UNIT, F.R.T. IS 0.2)	
SOCKET COMP., L. WINKER.....	0.2
(ADD 0.2 FOR EACH.)	
SOCKET COMP., R. WINKER	
BASE COMP., L. RR. WINKER.....	0.4
(ADD 0.1 FOR EACH.)	
BASE COMP., R. RR. WINKER	



KRS3-F2301

F-23-1	1	33402-KRS-T40	LENS, R. FR. WINKER .....	-	-	1	1	1		
	2	33410-KRS-T40	SOCKET COMP., R. WINKER .....	-	-	1	1	1		
	3	33452-KRS-T40	LENS, L. FR. WINKER .....	-	-	1	1	1		

NOTE A:PART NO.CHANGE D:NEWLY PROVIDED E:PART NO.DELETION K:REQUIRED NO.CORRECTION L:APPLICATION SERIAL NO.CORRECTION  
T:APPLICATION CORRECTION Z:REMARKS CHANGE

## PARTS CATALOGUE NEWS

BOOKNo.:18KRS3E1

Block No.	Ref. No.	Part No.	Description	Reqd.QTY					Base Part No.	Parts catalogue code
				3	SH3	NF100M B5	N5	SH5		
	4	33460-KRS-T40	SOCKET COMP., L. WINKER .....	-	-	1	1	1		
	5	33602-KRS-T50	LENS, R. WINKER .....	-	-	1	1	1		
	6	33603-KRS-T50	BASE COMP., R. RR. WINKER ....	-	-	1	1	1		
	7	33607-KRS-T50	PACKING, LENS .....	-	-	2	2	2		
	8	33652-KRS-T50	LENS, L. WINKER .....	-	-	1	1	1		
	9	33653-KRS-T50	BASE COMP., L. RR. WINKER ....	-	-	1	1	1		
	10	33710-KRS-T40	SEAL, GASKET .....	-	-	2	2	2		
	11	34908-MZO-790	BULB, WINKER .....	-	-	4	4	4		
	12	91509-GE2-760	SCREW, PAN, 5X11.5 .....	-	-	6	6	6		
	13	93901-24480	SCREW, TAPPING, 4X16 .....	-	-	4	4	4		
	14	93911-24380	SCREW, TAPPING, 4X14 .....	-	-	2	2	2		
	15	94050-06080	NUT, FLANGE, 6MM .....	-	-	2	2	2		
F-24	1		LIGHT ASSY., RR. COMBINATION .	-	-	0	0	0	33700-KRS-830	
	2		LENS, TAILLIGHT .....	-	-	0	0	0	33701-KRS-830	
	3		LENS, LICENSE .....	-	-	0	0	0	33702-KRS-830	
	4		LENS, R. RR. WINKER .....	-	-	0	0	0	33703-KRS-830	
	5		BASE COMP., RR. COMBINATION ..	-	-	0	0	0	33704-KRS-830	
	6		RUBBER A, TAILLIGHT MOUNTING .	-	-	0	0	0	33705-KW7-900	
	7		PACKING .....	-	-	0	0	0	33729-KRS-830	
	8		LENS, L. RR. WINKER .....	-	-	0	0	0	33753-KRS-830	
	9		BULB, WINKER (12V 10W) .....	-	-	0	0	0	34905-KRS-830	
	10		BULB, TAILLIGHT (12V 18/5W) ..	-	-	0	0	0	34906-KRS-830	
	11		COLLAR, FR. FENDER .....	-	-	0	0	0	61104-428-000	
	12		SCREW, TAPPING, 4X20 .....	-	-	0	0	0	93901-24510	

NOTE A:PART NO.CHANGE D:NEWLY PROVIDED E:PART NO.DELETION K:REQUIRED NO.CORRECTION L:APPLICATION SERIAL NO.CORRECTION  
T:APPLICATION CORRECTION Z:REMARKS CHANGE



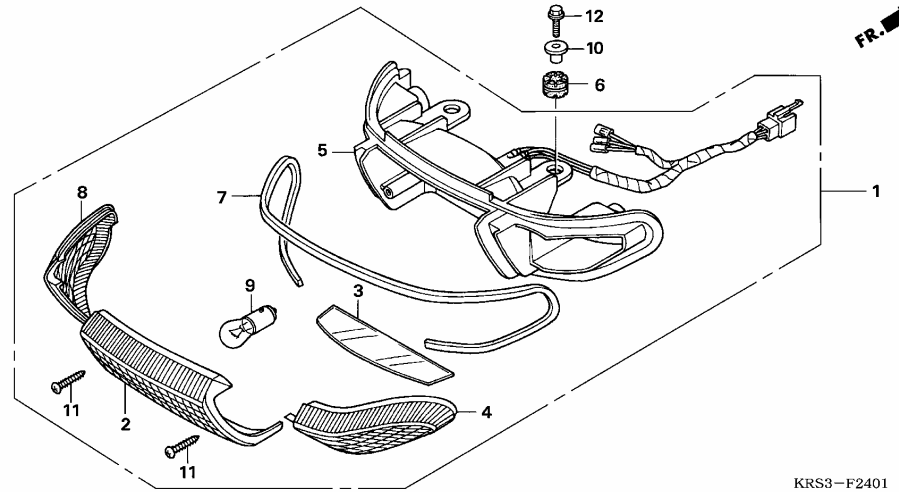
BOOKNo.:18KRS3E1

Block No.	Ref. No.	Part No.	Description	Reqd. QTY				Base Part No.	Parts catalogue code
				NF100M	N5	SH5			
	13		BOLT, FLANGE, 6X25 .....	3	SH3	B5	0	0	95701-06025-00

F-24-1 TAILLIGHT

(NF100MB5/MN5/MSH5)

Service Item	F.R.T.
BULB, TAILLIGHT.....	0.1
BASE COMP., RR. COMBINATION....	0.3
.TAILLIGHT UNIT	



KRS3-F2401

F-24-1	1	33701-KRS-T50	TAILLIGHT UNIT .....	-	-	1	1	1
	2	33701-KRS-830	LENS, TAILLIGHT .....	-	-	1	1	1
	3	33702-KRS-830	LENS, LICENSE .....	-	-	1	1	1
	4	33703-KRS-T50	LENS, R. RR. WINKER .....	-	-	1	1	1
	5	33704-KRS-T50	BASE COMP., RR. COMBINATION ..	-	-	1	1	1
	6	33705-KW7-900	RUBBER A, TAILLIGHT MOUNTING .	-	-	2	2	2
	7	33729-KRS-830	PACKING .....	-	-	1	1	1
	8	33753-KRS-T50	LENS, L. RR. WINKER .....	-	-	1	1	1
	9	34906-MZO-790	BULB, TAILLIGHT (12V 21/5W) ..	-	-	1	1	1
	10	61104-428-000	COLLAR, FR. FENDER .....	-	-	2	2	2
	11	93901-24510	SCREW, TAPPING, 4X20 .....	-	-	2	2	2

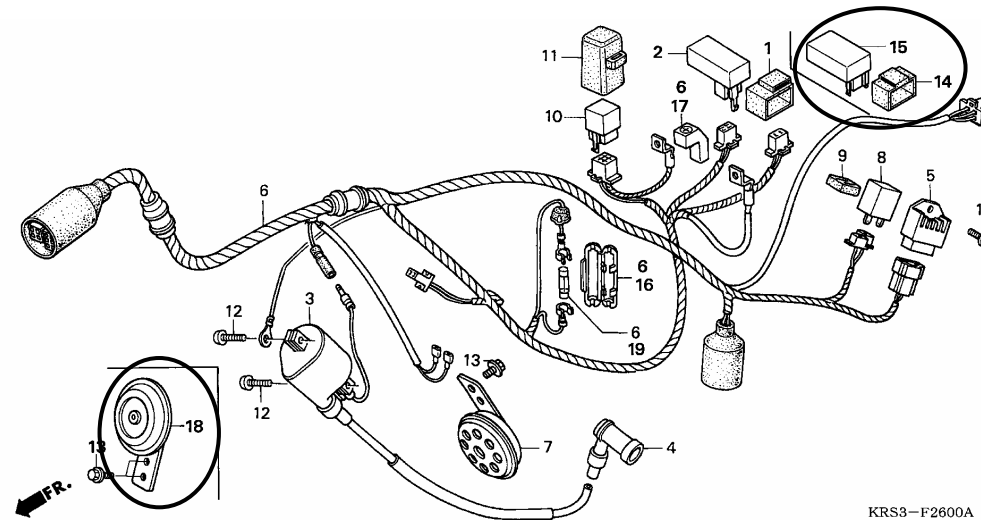
NOTE A:PART NO.CHANGE D:NEWLY PROVIDED E:PART NO.DELETION K:REQUIRED NO.CORRECTION L:APPLICATION SERIAL NO.CORRECTION  
T:APPLICATION CORRECTION Z:REMARKS CHANGE

PARTS CATALOGUE NEWS

BOOKNo.:18KRS3E1

Block No.	Ref. No.	Part No.	Description	Reqd. QTY					Base Part No.	Parts catalogue code
				3	NF100M SH3	B5	N5	SH5		
	12	95701-06025-00	BOLT, FLANGE, 6X25 .....	-	-	2	2	2		
F-25	1	31500-KTL-B80	BATTERY (YB5L-B) .....	-	-	1	1	1	31500-KRS-730	
		31500-KTL-B90	BATTERY (CB5L-B) .....	-	-	1	1	1	31500-KRS-740	

F-26 WIRE HARNESS



F-26	1		CUSHION, C.D.I. UNIT .....	-	-	0	0	0	30401-GK8-000	
	2		C.D.I. UNIT .....	-	-	0	0	0	30410-KRS-830	
	5	31600-KRS-C00	RECTIFIER COMP., REGULATOR ...	-	-	1	1	1	31600-KRS-830	
	6	32100-KRS-C10	HARNESS, WIRE .....	-	-	1	1	1	32100-KRS-830	
	7		HORN ASSY. ....	-	-	0	0	0	38110-KRS-830	
	8	38301-KSH-870	RELAY COMP., WINKER .....	-	-	1	1	1	38301-KRF-T00	
	14	30401-KRS-C00	CUSHION, C.D.I. UNIT .....	-	-	1	1	1		
	15	30410-KRS-C10	C.D.I. UNIT .....	-	-	1	1	1		
	16	32120-KRS-T50	CASE, FUSE (10A) .....	-	-	1	1	1		

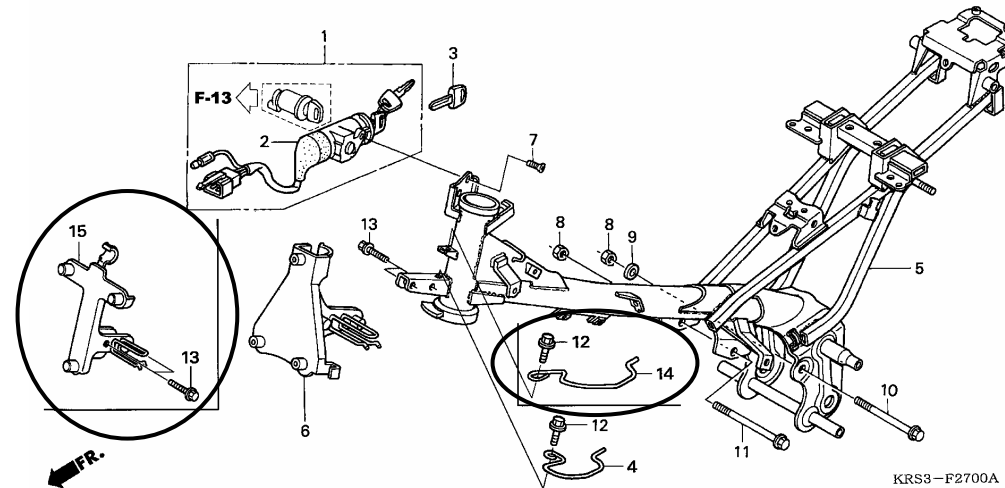
NOTE A:PART NO.CHANGE D:NEWLY PROVIDED E:PART NO.DELETION K:REQUIRED NO.CORRECTION L:APPLICATION SERIAL NO.CORRECTION  
T:APPLICATION CORRECTION Z:REMARKS CHANGE

PARTS CATALOGUE NEWS

BOOKNo.:18KRS3E1

Block No.	Ref. No.	Part No.	Description	Reqd. QTY					Base Part No.	Parts catalogue code
				3	NF100M SH3	B5	N5	SH5		
	17	32412-GBG-970	COVER, BATTERY TERMINAL .....	-	-	1	1	1		
	18	38110-KRS-T40	HORN ASSY., HIGH .....	-	-	1	1	1		
	19	98200-11000	FUSE A (10A) .....	-	-	1	1	1		

F-27 FRAME BODY



F-27	1	35010-KRS-T50	KEY SET .....	-	-	1	1	1	35010-KRS-830	
	2	35100-KRS-T50	SWITCH ASSY., COMBINATION & LOCK .....	-	-	1	1	1	35100-KRS-830	
	4		GUIDE, CABLE .....	-	-	0	0	0	45455-KEV-880	
	5	50100-KRS-C00	BODY COMP., FRAME .....	-	-	1	1	1	50100-KRS-830	
	6		STAY, FR. TOP COVER .....	-	-	0	0	0	64221-KRS-830	
	14	45455-KRS-T40	GUIDE, CABLE .....	-	-	1	1	1		
	15	64221-KRS-T40	STAY, FR. TOP COVER .....	-	-	1	1	1		
F-29	1		COVER SET, R. MAIN PIPE *TYPE1*(WL) .....	-	-	0	0	0	64200-KRS-830ZA	

NOTE A:PART NO.CHANGE D:NEWLY PROVIDED E:PART NO.DELETION K:REQUIRED NO.CORRECTION L:APPLICATION SERIAL NO.CORRECTION  
T:APPLICATION CORRECTION Z:REMARKS CHANGE

## PARTS CATALOGUE NEWS

BOOKNo.:18KRS3E1

Block No.	Ref. No.	Part No.	Description	Reqd.QTY					Base Part No.	Parts catalogue code
				3	SH3	NF100M B5	N5	SH5		
			COVER SET, R. MAIN PIPE *TYPE2*(WL)	-	-	0	0	0	64200-KRS-830ZB	
			COVER SET, R. MAIN PIPE *TYPE3*(WL)	-	-	0	0	0	64200-KRS-830ZC	
			COVER SET, R. MAIN PIPE *TYPE4*(WL)	-	-	0	0	0	64200-KRS-830ZD	
			COVER SET, R. MAIN PIPE *TYPE5*(WL)	-	-	0	0	0	64200-KRS-830ZE	
	2		SHIELD, R. LEG *TYPE1*(WL) ...	-	-	0	0	0	64210-KRS-830ZA	
			SHIELD, R. LEG *TYPE2*(WL) ...	-	-	0	0	0	64210-KRS-830ZB	
			SHIELD, R. LEG *TYPE3*(WL) ...	-	-	0	0	0	64210-KRS-830ZC	
			SHIELD, R. LEG *TYPE4*(WL) ...	-	-	0	0	0	64210-KRS-830ZD	
			SHIELD, R. LEG *TYPE5*(WL) ...	-	-	0	0	0	64210-KRS-830ZE	
	3		COVER SET, L. MAIN PIPE *TYPE1*(WL)	-	-	0	0	0	64250-KRS-830ZA	
			COVER SET, L. MAIN PIPE *TYPE2*(WL)	-	-	0	0	0	64250-KRS-830ZB	
			COVER SET, L. MAIN PIPE *TYPE3*(WL)	-	-	0	0	0	64250-KRS-830ZC	
			COVER SET, L. MAIN PIPE *TYPE4*(WL)	-	-	0	0	0	64250-KRS-830ZD	
			COVER SET, L. MAIN PIPE *TYPE5*(WL)	-	-	0	0	0	64250-KRS-830ZE	
	4		SHIELD, L. LEG *TYPE1*(WL) ...	-	-	0	0	0	64260-KRS-830ZA	
			SHIELD, L. LEG *TYPE2*(WL) ...	-	-	0	0	0	64260-KRS-830ZB	
			SHIELD, L. LEG *TYPE3*(WL) ...	-	-	0	0	0	64260-KRS-830ZC	
			SHIELD, L. LEG *TYPE4*(WL) ...	-	-	0	0	0	64260-KRS-830ZD	
			SHIELD, L. LEG *TYPE5*(WL) ...	-	-	0	0	0	64260-KRS-830ZE	

NOTE A:PART NO.CHANGE D:NEWLY PROVIDED E:PART NO.DELETION K:REQUIRED NO.CORRECTION L:APPLICATION SERIAL NO.CORRECTION  
T:APPLICATION CORRECTION Z:REMARKS CHANGE

## PARTS CATALOGUE NEWS

BOOKNo.:18KRS3E1

Block No.	Ref. No.	Part No.	Description	Reqd.QTY					Base Part No.	Parts catalogue code
				3	NF100M SH3	B5	N5	SH5		
	5		COVER, MAIN PIPE *NH1*.....BLACK	-	-	0	0	0	64320-KRS-830ZA	
	6		SCREW, FR. COVER .....	-	-	0	0	0	64321-GN5-830	
	7		STAY, LEG SHIELD .....	-	-	0	0	0	64410-KRS-830	
	8		CUSHION, FR. TOP COVER .....	-	-	0	0	0	64510-KEV-900	
	9		NUT, CLIP, 4MM .....	-	-	0	0	0	64521-KRS-830	
	10		COVER SET, FR. TOP *TYPE1*(WL)	-	-	0	0	0	64550-KRS-830ZA	
			COVER SET, FR. TOP *TYPE2*(WL)	-	-	0	0	0	64550-KRS-830ZB	
			COVER SET, FR. TOP *TYPE3*(WL)	-	-	0	0	0	64550-KRS-830ZC	
			COVER SET, FR. TOP *TYPE4*(WL)	-	-	0	0	0	64550-KRS-830ZD	
			COVER SET, FR. TOP *TYPE5*(WL)	-	-	0	0	0	64550-KRS-830ZE	
	11		BOLT, FAIRING SETTING .....	-	-	0	0	0	90107-KW7-900	
	12		SCREW, PAN, 5X11.5 .....	-	-	0	0	0	91509-GE2-760	
	13		BOLT, HEX., 6X20 .....	-	-	0	0	0	92101-06020-0A	
	14		SCREW-WASHER, 4X20 .....	-	-	0	0	0	93891-04020-07	
	15		SCREW, TAPPING, 5X12 .....	-	-	0	0	0	93903-25210	
	16		WASHER, PLAIN, 10MM .....	-	-	0	0	0	94101-10000	

NOTE A:PART NO.CHANGE D:NEWLY PROVIDED E:PART NO.DELETION K:REQUIRED NO.CORRECTION L:APPLICATION SERIAL NO.CORRECTION  
T:APPLICATION CORRECTION Z:REMARKS CHANGE

BOOKNo.:18KRS3E1

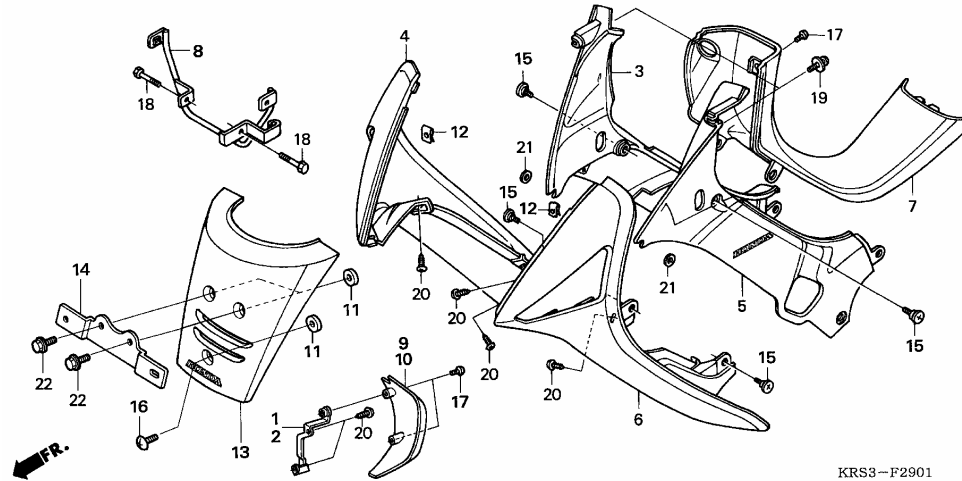
Block No.	Ref. No.	Part No.	Description	Reqd. QTY	Base Part No.	Parts catalogue code
-----------	----------	----------	-------------	-----------	---------------	----------------------

NF100M  
3 SH3 B5 N5 SH5

F-29-1 MAIN PIPE COVER

(NF100MB5/MN5/MSH5)

Service	Item	F.R.T.
	COVER SET, FR. TOP.....	0.1
	COVER SET, L. MAIN PIPE SIDE... (ADD 0.1 FOR EACH.)	0.2
	.COVER SET, R. MAIN PIPE SIDE	
	.COVER, MAIN PIPE	
	.STAY, LEG SHIELD	
	SHIELD, L. LEG.....	0.3
	(ADD 0.1 FOR EACH.)	
	.SHIELD, R. LEG	



KRS3-F2901

F-29-1	1	33490-KRS-T40	STAY, R. FR. WINKER .....	-	-	1	1	1
	2	33500-KRS-T40	STAY, L. FR. WINKER .....	-	-	1	1	1
	3	64200-KRS-C00ZA	COVER SET, R. MAIN PIPE SIDE (WL)					
			*G178M*..INDIA GREEN METALLIC	-	-	1	1	1
		64200-KRS-C00ZB	*NHA05M*CLEAN SILVER METALLIC	-	-	1	1	1
		64200-KRS-C00ZC	*NHA06P*..PEARL PROCYON BLACK	-	-	1	1	1
		64200-KRS-C00ZD	*PB335M*EPSILON BLUE METALLIC	-	-	1	1	1
		64200-KRS-C00ZE	*R283M*....BAKE RED METALLIC	-	-	1	1	1
	4	64210-KRS-C00ZA	SHIELD, R. LEG *TYPE1*(WL) ...	-	-	1	1	1
		64210-KRS-C00ZB	SHIELD, R. LEG *TYPE2*(WL) ...	-	-	1	1	1
		64210-KRS-C00ZC	SHIELD, R. LEG *TYPE3*(WL) ...	-	-	1	1	1
		64210-KRS-C00ZD	SHIELD, R. LEG *TYPE4*(WL) ...	-	-	1	1	1

NOTE A:PART NO.CHANGE D:NEWLY PROVIDED E:PART NO.DELETION K:REQUIRED NO.CORRECTION L:APPLICATION SERIAL NO.CORRECTION  
T:APPLICATION CORRECTION Z:REMARKS CHANGE

## PARTS CATALOGUE NEWS

BOOKNo.:18KRS3E1

Block No.	Ref. No.	Part No.	Description	Reqd.QTY					Base Part No.	Parts catalogue code
				3	SH3	NF100M B5	N5	SH5		
		64210-KRS-C00ZE	SHIELD, R. LEG *TYPE5*(WL) ...	-	-	1	1	1		
	5	64250-KRS-C00ZA	COVER SET, L. MAIN PIPE SIDE (WL) *G178M*..INDIA GREEN METALLIC	-	-	1	1	1		
		64250-KRS-C00ZB	*NHA05M*CLEAN SILVER METALLIC	-	-	1	1	1		
		64250-KRS-C00ZC	*NHA06P*..PEARL PROCYON BLACK	-	-	1	1	1		
		64250-KRS-C00ZD	*PB335M*EPSILON BLUE METALLIC	-	-	1	1	1		
		64250-KRS-C00ZE	*R283M*....BAKE RED METALLIC	-	-	1	1	1		
	6	64260-KRS-C00ZA	SHIELD, L. LEG *TYPE1*(WL) ...	-	-	1	1	1		
		64260-KRS-C00ZB	SHIELD, L. LEG *TYPE2*(WL) ...	-	-	1	1	1		
		64260-KRS-C00ZC	SHIELD, L. LEG *TYPE3*(WL) ...	-	-	1	1	1		
		64260-KRS-C00ZD	SHIELD, L. LEG *TYPE4*(WL) ...	-	-	1	1	1		
		64260-KRS-C00ZE	SHIELD, L. LEG *TYPE5*(WL) ...	-	-	1	1	1		
	7	64320-KRS-830ZA	COVER, MAIN PIPE *NH1*.....BLACK	-	-	1	1	1		
	8	64410-KRS-830	STAY, LEG SHIELD .....	-	-	1	1	1		
	9	64435-KRS-T40ZA	COVER, R. FR. WINKER *G178M*..INDIA GREEN METALLIC	-	-	1	1	1		
		64435-KRS-T40ZB	*NHA05M*CLEAN SILVER METALLIC	-	-	1	1	1		
		64435-KRS-T40ZC	*NHA06P*..PEARL PROCYON BLACK	-	-	1	1	1		
		64435-KRS-T40ZD	*PB335M*EPSILON BLUE METALLIC	-	-	1	1	1		
		64435-KRS-T40ZE	*R283M*....BAKE RED METALLIC	-	-	1	1	1		
	10	64445-KRS-T40ZA	COVER, L. FR. WINKER *G178M*..INDIA GREEN METALLIC	-	-	1	1	1		
		64445-KRS-T40ZB	*NHA05M*CLEAN SILVER METALLIC	-	-	1	1	1		
		64445-KRS-T40ZC	*NHA06P*..PEARL PROCYON BLACK	-	-	1	1	1		
		64445-KRS-T40ZD	*PB335M*EPSILON BLUE METALLIC	-	-	1	1	1		

NOTE A:PART NO.CHANGE D:NEWLY PROVIDED E:PART NO.DELETION K:REQUIRED NO.CORRECTION L:APPLICATION SERIAL NO.CORRECTION  
T:APPLICATION CORRECTION Z:REMARKS CHANGE

## PARTS CATALOGUE NEWS

BOOKNo.:18KRS3E1

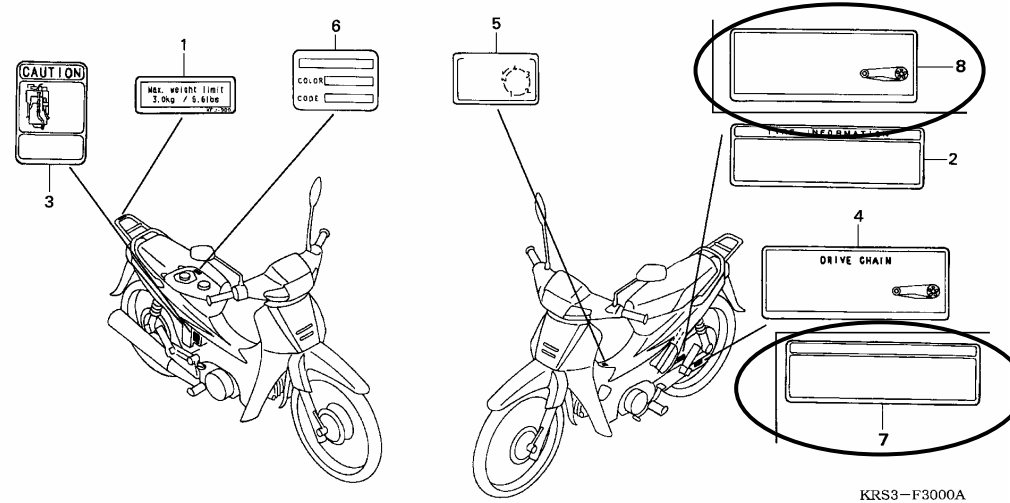
Block No.	Ref. No.	Part No.	Description	Reqd. QTY					Base Part No.	Parts catalogue code
				3	SH3	NF100M B5	N5	SH5		
		64445-KRS-T40ZE	*R283M*.....BAKE RED METALLIC	-	-	1	1	1		
	11	64510-KEV-900	CUSHION, FR. TOP COVER .....	-	-	3	3	3		
	12	64521-KRS-830	NUT, CLIP, 4MM .....	-	-	2	2	2		
	13	64550-KRS-C00ZA	COVER SET, FR. TOP (WL) *G178M*..INDIA GREEN METALLIC	-	-	1	1	1		
		64550-KRS-C00ZB	*NHA05M*CLEAN SILVER METALLIC	-	-	1	1	1		
		64550-KRS-C00ZC	*NHA06P*..PEARL PROCYON BLACK	-	-	1	1	1		
		64550-KRS-C00ZD	*PB335M*EPSILON BLUE METALLIC	-	-	1	1	1		
		64550-KRS-C00ZE	*R283M*.....BAKE RED METALLIC	-	-	1	1	1		
	14	81110-KRS-T40	BRACKET, FR. NUMBER PLATE ....	-	-	1	1	1		
	15	90107-KW7-900	BOLT, FAIRING SETTING .....	-	-	5	5	5		
	16	90114-KPH-C00	SCREW, 6X12 .....	-	-	1	1	1		
	17	91509-GE2-760	SCREW, PAN, 5X11.5 .....	-	-	5	5	5		
	18	92101-06020-0A	BOLT, HEX., 6X20 .....	-	-	2	2	2		
	19	93891-04020-07	SCREW-WASHER, 4X20 .....	-	-	2	2	2		
	20	93903-25210	SCREW, TAPPING, 5X12 .....	-	-	10	10	10		
	21	94101-10000	WASHER, PLAIN, 10MM .....	-	-	2	2	2		
	22	95701-06020-08	BOLT, FLANGE, 6X20 .....	-	-	2	2	2		

NOTE A:PART NO.CHANGE D:NEWLY PROVIDED E:PART NO.DELETION K:REQUIRED NO.CORRECTION L:APPLICATION SERIAL NO.CORRECTION  
T:APPLICATION CORRECTION Z:REMARKS CHANGE



Block No.	Ref. No.	Part No.	Description	Reqd. QTY					Base Part No.	Parts catalogue code
				3	SH3	B5	N5	SH5		

F-30 CAUTION LABEL



KRS3-F3000A

F-30	2		LABEL, TIRE .....	-	-	-	0	-	87505-KRS-N00	
				-	-	-	0	-		NR,2NR
			LABEL, TIRE (FRENCH) .....	-	-	0	-	-	87505-KRS-N10	
				-	-	-	0	-		BU,2BU
			LABEL, TIRE (SPANISH) .....	-	-	-	0	-	87505-KRS-N20	PE,2PE
	3	87506-KTL-C00	MARK, BATTERY CAUTION .....	-	-	-	1	-	87506-KRS-N00	
				-	-	-	1	-		NR,2NR
		87506-KTL-C10	.....	-	-	1	-	-	87506-KRS-N10	
				-	-	-	1	-		BU,2BU
		87506-KTL-C40	.....	-	-	-	1	-	87506-KRS-N20	PE,2PE
	4		LABEL, DRIVE CHAIN .....	-	-	-	0	-	87507-KPH-740	
				-	-	-	0	-		NR,2NR

NOTE A:PART NO.CHANGE D:NEWLY PROVIDED E:PART NO.DELETION K:REQUIRED NO.CORRECTION L:APPLICATION SERIAL NO.CORRECTION  
T:APPLICATION CORRECTION Z:REMARKS CHANGE

## PARTS CATALOGUE NEWS

BOOKNo.:18KRS3E1

Block No.	Ref. No.	Part No.	Description	Reqd. QTY					Base Part No.	Parts catalogue code
				3	SH3	NF100M B5	N5	SH5		
			LABEL, DRIVE CHAIN (SPANISH) .	-	-	-	-	0	87507-KRS-N20	PE,2PE
			LABEL, DRIVE CHAIN (FRENCH) ..	-	-	0	-	-	87507-MBW-F80	
				-	-	-	-	0		BU,2BU
	5	87560-KTL-C00ZA	MARK, DRIVE CAUTION *TWHITE*.....WHITE	-	-	-	1	-	87560-KRS-N00	
				-	-	-	-	1		NR,2NR
		87560-KTL-C10ZA	MARK, DRIVE CAUTION (FRENCH) *TWHITE*.....WHITE	-	-	1	-	-	87560-KRS-N10	
				-	-	-	-	1		BU,2BU
		87560-KTL-C40ZA	MARK, DRIVE CAUTION (SPANISH) *TWHITE*.....WHITE	-	-	-	-	1	87560-KRS-N20	PE,2PE
	6	87565-KRS-C00ZA	LABEL, COLOR *TYPE1*(NHA06) ..	-	-	-	-	1	87565-KRS-830ZA	
		87565-KRS-C00ZB	LABEL, COLOR *TYPE2*(NHA05) ..	-	-	-	-	1	87565-KRS-830ZB	
		87565-KRS-C00ZC	LABEL, COLOR *TYPE3*(G178) ...	-	-	-	-	1	87565-KRS-830ZC	
		87565-KRS-C00ZD	LABEL, COLOR *TYPE4*(R283) ...	-	-	-	-	1	87565-KRS-830ZD	
		87565-KRS-C00ZE	LABEL, COLOR *TYPE5*(PB335) ..	-	-	-	-	1	87565-KRS-830ZE	
		87565-KTL-C00ZA	LABEL, COLOR *TYPE1*(NHA06) ..	-	-	-	1	-	87565-KRS-830ZA	
		87565-KTL-C00ZB	LABEL, COLOR *TYPE2*(NHA05) ..	-	-	-	1	-	87565-KRS-830ZB	
		87565-KTL-C00ZC	LABEL, COLOR *TYPE3*(G178) ...	-	-	-	1	-	87565-KRS-830ZC	
		87565-KTL-C00ZD	LABEL, COLOR *TYPE4*(R283) ...	-	-	-	1	-	87565-KRS-830ZD	
		87565-KTL-C00ZE	LABEL, COLOR *TYPE5*(PB335) ..	-	-	-	1	-	87565-KRS-830ZE	
		87565-KTL-C10ZA	LABEL, COLOR *TYPE1*(NHA06) ..	-	-	1	-	-	87565-KRS-830ZA	
		87565-KTL-C10ZB	LABEL, COLOR *TYPE2*(NHA05) ..	-	-	1	-	-	87565-KRS-830ZB	
		87565-KTL-C10ZC	LABEL, COLOR *TYPE3*(G178) ...	-	-	1	-	-	87565-KRS-830ZC	
		87565-KTL-C10ZD	LABEL, COLOR *TYPE4*(R283) ...	-	-	1	-	-	87565-KRS-830ZD	
		87565-KTL-C10ZE	LABEL, COLOR *TYPE5*(PB335) ..	-	-	1	-	-	87565-KRS-830ZE	

NOTE A:PART NO.CHANGE D:NEWLY PROVIDED E:PART NO.DELETION K:REQUIRED NO.CORRECTION L:APPLICATION SERIAL NO.CORRECTION  
T:APPLICATION CORRECTION Z:REMARKS CHANGE

PARTS CATALOGUE NEWS

BOOKNo.:18KRS3E1

Block No.	Ref. No.	Part No.	Description	Reqd.QTY					Base Part No.	Parts catalogue code
				3	SH3	NF100M B5	N5	SH5		
	7	87505-KRS-N00	LABEL, TIRE .....	-	-	-	1	-		
				-	-	-	-	1		NR,2NR
		87505-KRS-N10	LABEL, TIRE (FRENCH) .....	-	-	1	-	-		
				-	-	-	-	1		BU,2BU
		87505-KTL-C40	LABEL, TIRE (SPANISH) .....	-	-	-	-	1		PE,2PE
	8	87507-KPH-740	LABEL, DRIVE CHAIN .....	-	-	-	1	-		
				-	-	-	-	1		NR,2NR
		87507-KTL-C40	MARK, DRIVE CHAIN CAUTION (SPANISH)	-	-	-	-	1		PE,2PE
		87507-MBW-F80	LABEL, DRIVE CHAIN (FRENCH) ..	-	-	1	-	-		
				-	-	-	-	1		BU,2BU
F-31	1		MARK, FR. TOP COVER *TYPE1* (HONDA)	-	-	0	0	0	87101-KRS-830ZA	
			MARK, FR. TOP COVER *TYPE2* (HONDA)	-	-	0	0	0	87101-KRS-830ZB	
			MARK, FR. TOP COVER *TYPE3* (HONDA)	-	-	0	0	0	87101-KRS-830ZC	
			MARK, FR. TOP COVER *TYPE4* (HONDA)	-	-	0	0	0	87101-KRS-830ZD	
			MARK, FR. TOP COVER *TYPE5* (HONDA)	-	-	0	0	0	87101-KRS-830ZE	
	2		STRIPE, R. LEG SHIELD *TYPE1*	-	-	0	0	0	87102-KRS-830ZA	
			STRIPE, R. LEG SHIELD *TYPE2*	-	-	0	0	0	87102-KRS-830ZB	
			STRIPE, R. LEG SHIELD *TYPE3*	-	-	0	0	0	87102-KRS-830ZC	
			STRIPE, R. LEG SHIELD *TYPE4*	-	-	0	0	0	87102-KRS-830ZD	
			STRIPE, R. LEG SHIELD *TYPE5*	-	-	0	0	0	87102-KRS-830ZE	
	3		STRIPE, L. LEG SHIELD *TYPE1*	-	-	0	0	0	87103-KRS-830ZA	

NOTE A:PART NO.CHANGE D:NEWLY PROVIDED E:PART NO.DELETION K:REQUIRED NO.CORRECTION L:APPLICATION SERIAL NO.CORRECTION  
T:APPLICATION CORRECTION Z:REMARKS CHANGE

## PARTS CATALOGUE NEWS

BOOKNo.:18KRS3E1

Block No.	Ref. No.	Part No.	Description	Reqd. QTY					Base Part No.	Parts catalogue code
				3	SH3	NF100M B5	N5	SH5		
			STRIPE, L. LEG SHIELD *TYPE2*	-	-	0	0	0	87103-KRS-830ZB	
			STRIPE, L. LEG SHIELD *TYPE3*	-	-	0	0	0	87103-KRS-830ZC	
			STRIPE, L. LEG SHIELD *TYPE4*	-	-	0	0	0	87103-KRS-830ZD	
			STRIPE, L. LEG SHIELD *TYPE5*	-	-	0	0	0	87103-KRS-830ZE	
	4		STRIPE, R. MAIN PIPE SIDE COVER *TYPE1*	-	-	0	0	0	87104-KRS-830ZA	
			STRIPE, R. MAIN PIPE SIDE COVER *TYPE2*	-	-	0	0	0	87104-KRS-830ZB	
			STRIPE, R. MAIN PIPE SIDE COVER *TYPE3*	-	-	0	0	0	87104-KRS-830ZC	
			STRIPE, R. MAIN PIPE SIDE COVER *TYPE4*	-	-	0	0	0	87104-KRS-830ZD	
			STRIPE, R. MAIN PIPE SIDE COVER *TYPE5*	-	-	0	0	0	87104-KRS-830ZE	
	5		STRIPE, L. MAIN PIPE SIDE COVER *TYPE1*	-	-	0	0	0	87105-KRS-830ZA	
			STRIPE, L. MAIN PIPE SIDE COVER *TYPE2*	-	-	0	0	0	87105-KRS-830ZB	
			STRIPE, L. MAIN PIPE SIDE COVER *TYPE3*	-	-	0	0	0	87105-KRS-830ZC	
			STRIPE, L. MAIN PIPE SIDE COVER *TYPE4*	-	-	0	0	0	87105-KRS-830ZD	
			STRIPE, L. MAIN PIPE SIDE COVER *TYPE5*	-	-	0	0	0	87105-KRS-830ZE	
	6		STRIPE, R. SIDE COVER *TYPE1*	-	-	0	0	0	87106-KRS-830ZA	
			STRIPE, R. SIDE COVER *TYPE2*	-	-	0	0	0	87106-KRS-830ZB	
			STRIPE, R. SIDE COVER *TYPE3*	-	-	0	0	0	87106-KRS-830ZC	
			STRIPE, R. SIDE COVER *TYPE4*	-	-	0	0	0	87106-KRS-830ZD	
			STRIPE, R. SIDE COVER *TYPE5*	-	-	0	0	0	87106-KRS-830ZE	

NOTE A:PART NO.CHANGE D:NEWLY PROVIDED E:PART NO.DELETION K:REQUIRED NO.CORRECTION L:APPLICATION SERIAL NO.CORRECTION  
T:APPLICATION CORRECTION Z:REMARKS CHANGE

## PARTS CATALOGUE NEWS

BOOKNo.:18KRS3E1

Block No.	Ref. No.	Part No.	Description	Reqd.QTY					Base Part No.	Parts catalogue code
				3	SH3	NF100M B5	N5	SH5		
	7		STRIPE, R. BODY COVER *TYPE1*	-	-	0	0	0	87107-KRS-830ZA	
			STRIPE, R. BODY COVER *TYPE2*	-	-	0	0	0	87107-KRS-830ZB	
			STRIPE, R. BODY COVER *TYPE3*	-	-	0	0	0	87107-KRS-830ZC	
			STRIPE, R. BODY COVER *TYPE4*	-	-	0	0	0	87107-KRS-830ZD	
			STRIPE, R. BODY COVER *TYPE5*	-	-	0	0	0	87107-KRS-830ZE	
	8		STRIPE A, L. BODY COVER *TYPE1*	-	-	0	0	0	87108-KRS-830ZA	
			STRIPE A, L. BODY COVER *TYPE2*	-	-	0	0	0	87108-KRS-830ZB	
			STRIPE A, L. BODY COVER *TYPE3*	-	-	0	0	0	87108-KRS-830ZC	
			STRIPE A, L. BODY COVER *TYPE4*	-	-	0	0	0	87108-KRS-830ZD	
			STRIPE A, L. BODY COVER *TYPE5*	-	-	0	0	0	87108-KRS-830ZE	
	9		STRIPE B, L. BODY COVER *TYPE1*	-	-	0	0	0	87109-KRS-830ZA	
			STRIPE B, L. BODY COVER *TYPE2*	-	-	0	0	0	87109-KRS-830ZB	
			STRIPE B, L. BODY COVER *TYPE3*	-	-	0	0	0	87109-KRS-830ZC	
			STRIPE B, L. BODY COVER *TYPE4*	-	-	0	0	0	87109-KRS-830ZD	
			STRIPE B, L. BODY COVER *TYPE5*	-	-	0	0	0	87109-KRS-830ZE	
	10		MARK, TAIL COVER *TYPE1* (HONDA)	-	-	0	0	0	87110-KRS-830ZA	
			MARK, TAIL COVER *TYPE2* (HONDA)	-	-	0	0	0	87110-KRS-830ZB	
			MARK, TAIL COVER *TYPE3* (HONDA)	-	-	0	0	0	87110-KRS-830ZC	

NOTE A:PART NO.CHANGE D:NEWLY PROVIDED E:PART NO.DELETION K:REQUIRED NO.CORRECTION L:APPLICATION SERIAL NO.CORRECTION  
T:APPLICATION CORRECTION Z:REMARKS CHANGE

PARTS CATALOGUE NEWS

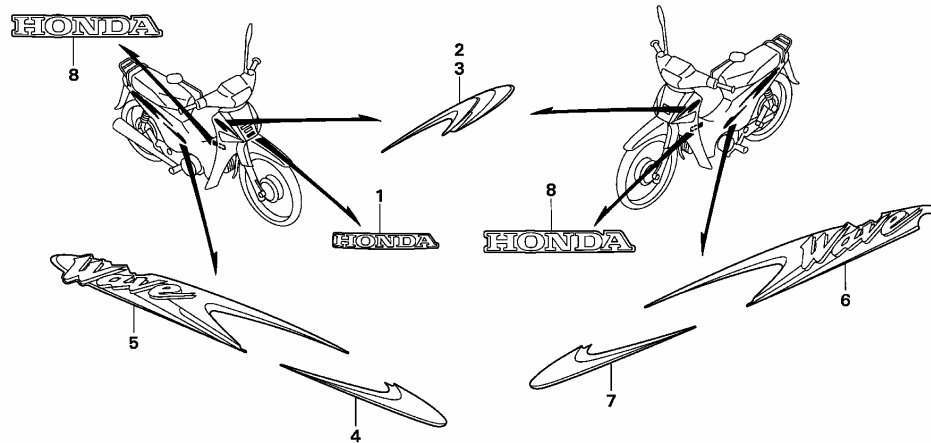
BOOKNo.:18KRS3E1

Block No.	Ref. No.	Part No.	Description	Reqd. QTY					Base Part No.	Parts catalogue code
				3	SH3	NF100M B5	N5	SH5		
			MARK, TAIL COVER *TYPE4* (HONDA)	-	-	0	0	0	87110-KRS-830ZD	
			MARK, TAIL COVER *TYPE5* (HONDA)	-	-	0	0	0	87110-KRS-830ZE	
	11		MARK, HONDA *TYPE1*(110MM) ...	-	-	0	0	0	87130-KRS-830ZA	
			MARK, HONDA *TYPE2*(110MM) ...	-	-	0	0	0	87130-KRS-830ZB	
			MARK, HONDA *TYPE3*(110MM) ...	-	-	0	0	0	87130-KRS-830ZC	
			MARK, HONDA *TYPE4*(110MM) ...	-	-	0	0	0	87130-KRS-830ZD	
			MARK, HONDA *TYPE5*(110MM) ...	-	-	0	0	0	87130-KRS-830ZE	

F-31-1

MARK/STRIPE

(NF100MB5/MN5/MSH5)



KRS3--F3101

F-31-1	1	87101-KRS-C00ZA	MARK, FR. TOP COVER *TYPE1* (HONDA)	-	-	1	1	1	
		87101-KRS-C00ZB	MARK, FR. TOP COVER *TYPE2* (HONDA)	-	-	1	1	1	

NOTE A:PART NO.CHANGE D:NEWLY PROVIDED E:PART NO.DELETION K:REQUIRED NO.CORRECTION L:APPLICATION SERIAL NO.CORRECTION  
T:APPLICATION CORRECTION Z:REMARKS CHANGE

## PARTS CATALOGUE NEWS

BOOKNo.:18KRS3E1

Block No.	Ref. No.	Part No.	Description	Reqd.QTY					Base Part No.	Parts catalogue code
				3	SH3	NF100M B5	N5	SH5		
		87101-KRS-C00ZC	MARK, FR. TOP COVER *TYPE3* (HONDA)	-	-	1	1	1		
		87101-KRS-C00ZD	MARK, FR. TOP COVER *TYPE4* (HONDA)	-	-	1	1	1		
		87101-KRS-C00ZE	MARK, FR. TOP COVER *TYPE5* (HONDA)	-	-	1	1	1		
2		87102-KRS-C00ZA	STRIPE, R. LEG SHIELD *TYPE1*	-	-	1	1	1		
		87102-KRS-C00ZB	STRIPE, R. LEG SHIELD *TYPE2*	-	-	1	1	1		
		87102-KRS-C00ZC	STRIPE, R. LEG SHIELD *TYPE3*	-	-	1	1	1		
		87102-KRS-C00ZD	STRIPE, R. LEG SHIELD *TYPE4*	-	-	1	1	1		
		87102-KRS-C00ZE	STRIPE, R. LEG SHIELD *TYPE5*	-	-	1	1	1		
3		87103-KRS-C00ZA	STRIPE, L. LEG SHIELD *TYPE1*	-	-	1	1	1		
		87103-KRS-C00ZB	STRIPE, L. LEG SHIELD *TYPE2*	-	-	1	1	1		
		87103-KRS-C00ZC	STRIPE, L. LEG SHIELD *TYPE3*	-	-	1	1	1		
		87103-KRS-C00ZD	STRIPE, L. LEG SHIELD *TYPE4*	-	-	1	1	1		
		87103-KRS-C00ZE	STRIPE, L. LEG SHIELD *TYPE5*	-	-	1	1	1		
4		87106-KRS-C00ZA	STRIPE, R. SIDE COVER *TYPE1*	-	-	1	1	1		
		87106-KRS-C00ZB	STRIPE, R. SIDE COVER *TYPE2*	-	-	1	1	1		
		87106-KRS-C00ZC	STRIPE, R. SIDE COVER *TYPE3*	-	-	1	1	1		
		87106-KRS-C00ZD	STRIPE, R. SIDE COVER *TYPE4*	-	-	1	1	1		
		87106-KRS-C00ZE	STRIPE, R. SIDE COVER *TYPE5*	-	-	1	1	1		
5		87107-KTL-C00ZA	STRIPE, R. BODY COVER *TYPE1*	-	-	1	1	1		
		87107-KTL-C00ZB	STRIPE, R. BODY COVER *TYPE2*	-	-	1	1	1		
		87107-KTL-C00ZC	STRIPE, R. BODY COVER *TYPE3*	-	-	1	1	1		
		87107-KTL-C00ZD	STRIPE, R. BODY COVER *TYPE4*	-	-	1	1	1		
		87107-KTL-C00ZE	STRIPE, R. BODY COVER *TYPE5*	-	-	1	1	1		

NOTE A:PART NO.CHANGE D:NEWLY PROVIDED E:PART NO.DELETION K:REQUIRED NO.CORRECTION L:APPLICATION SERIAL NO.CORRECTION  
T:APPLICATION CORRECTION Z:REMARKS CHANGE

## PARTS CATALOGUE NEWS

BOOKNo.:18KRS3E1

Block No.	Ref. No.	Part No.	Description	Reqd.QTY					Base Part No.	Parts catalogue code
				3	SH3	NF100M B5	N5	SH5		
6		87108-KTL-C00ZA	STRIPE A, L. BODY COVER *TYPE1*	-	-	1	1	1		
		87108-KTL-C00ZB	STRIPE A, L. BODY COVER *TYPE2*	-	-	1	1	1		
		87108-KTL-C00ZC	STRIPE A, L. BODY COVER *TYPE3*	-	-	1	1	1		
		87108-KTL-C00ZD	STRIPE A, L. BODY COVER *TYPE4*	-	-	1	1	1		
		87108-KTL-C00ZE	STRIPE A, L. BODY COVER *TYPE5*	-	-	1	1	1		
7		87109-KRS-C00ZA	STRIPE B, L. BODY COVER *TYPE1*	-	-	1	1	1		
		87109-KRS-C00ZB	STRIPE B, L. BODY COVER *TYPE2*	-	-	1	1	1		
		87109-KRS-C00ZC	STRIPE B, L. BODY COVER *TYPE3*	-	-	1	1	1		
		87109-KRS-C00ZD	STRIPE B, L. BODY COVER *TYPE4*	-	-	1	1	1		
		87109-KRS-C00ZE	STRIPE B, L. BODY COVER *TYPE5*	-	-	1	1	1		
8		87130-KRS-C00ZA	MARK, HONDA *TYPE1*(130MM) ...	-	-	2	2	2		
		87130-KRS-C00ZB	MARK, HONDA *TYPE2*(130MM) ...	-	-	2	2	2		
		87130-KRS-C00ZC	MARK, HONDA *TYPE3*(130MM) ...	-	-	2	2	2		
		87130-KRS-C00ZD	MARK, HONDA *TYPE4*(130MM) ...	-	-	2	2	2		
		87130-KRS-C00ZE	MARK, HONDA *TYPE5*(130MM) ...	-	-	2	2	2		

NOTE A:PART NO.CHANGE D:NEWLY PROVIDED E:PART NO.DELETION K:REQUIRED NO.CORRECTION L:APPLICATION SERIAL NO.CORRECTION  
T:APPLICATION CORRECTION Z:REMARKS CHANGE